

INDICATORS • SPEAKERS • SOUND TRANSDUCERS • ENCLOSURES • MICROPHONES • BATTERY ACCESSORIES

CS15-01R85-03-1

Former P/N: CES150V030BC06PMN850SR

Rev. 2-2019
RoHS3 & REACH
Mobile Speakers



Operating Characteristics

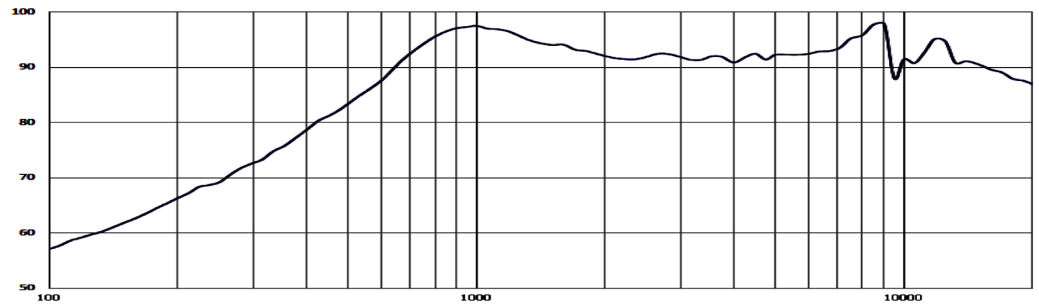
ELECTRICAL

Rated Power	1.0 W
Short Term Max Power	1.2 W
Impedance	6 Ω ± 15 % 2000 Hz; 1 W

ACOUSTIC: 1 cc Sealed Enclosure

f_o	850 Hz ± 20 % 1 W
Freq. Range	850 to 20000 Hz
Rated SPL	93 ± 3 dB 2000 Hz; 1 W; 10 cm;
Distortion	10 % 1000 Hz; 1 W

2.45Vrms/10cm in 1cc BOX



Physical Characteristics

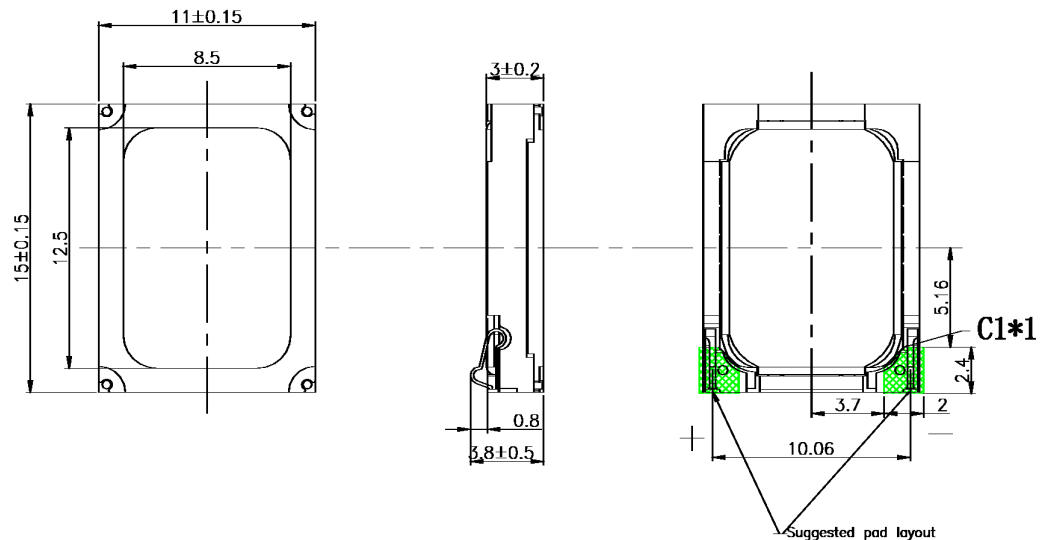
MATERIALS

Housing	Plastic
Cone	Mylar
Magnet	NdFeB
Spring	Stainless Steel

TEMPERATURE RANGES

Operating	-20 to +70 °C
Storage	-40 to +85 °C

Weight 1.5 g



Revision	Description	By	Date
1-2017	Change RoHS to RoHS3	JL	2017-10-02
2-2019	Migrate to new format.	CF	2019-06-24

Warranty: For a period of one (1) year from date of shipping under normal operations conditions This warranty does not apply to products damaged through misuse, abuse, improper installation, alteration, rework, or attempt to repair.

The information contained herein is believed to be correct, but no guarantee or warranty, express or implied, with respect to accuracy, completeness or results is extended and no liability is assumed. Challenge Electronics reserves the right to make changes in any specification, data or material contained herein.