

INDICATORS • SPEAKERS • SOUND TRANSDUCERS • ENCLOSURES • MICROPHONES • BATTERY ACCESSORIES

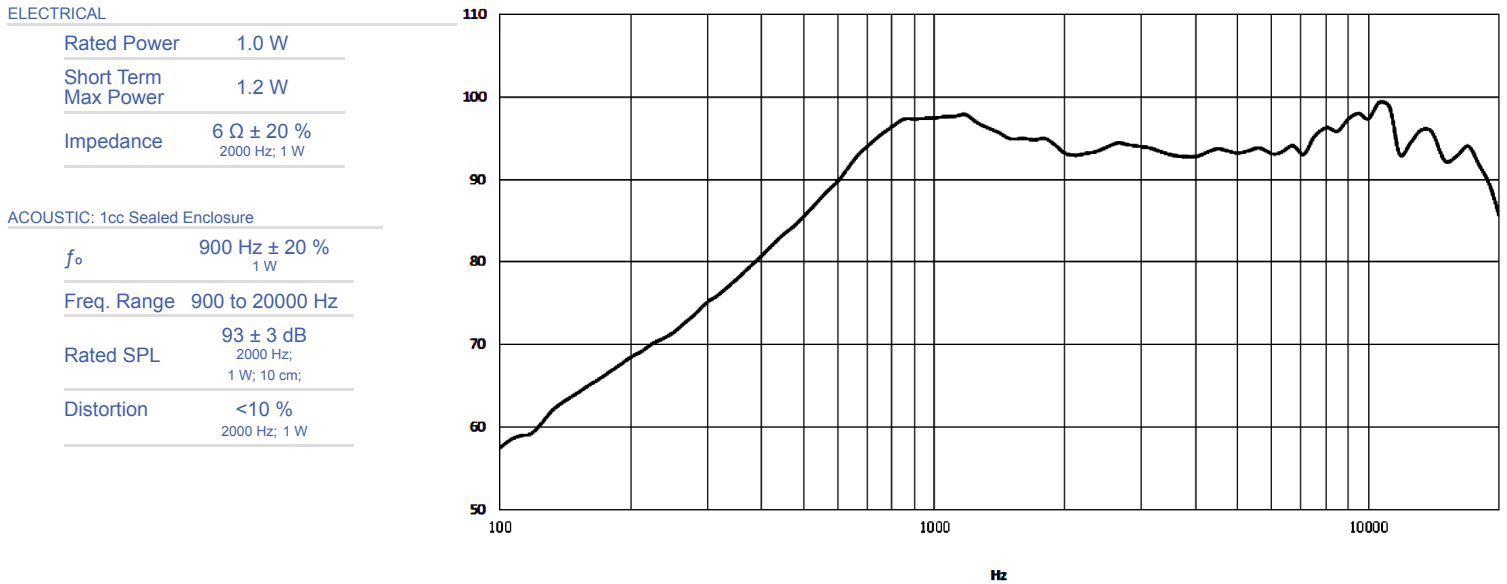
## CS15-01R90-02-1

Former P/N: CS15R-0190-021

Rev. 2-2019  
RoHS3 & REACH  
Mobile Speakers



### Operating Characteristics



### Physical Characteristics

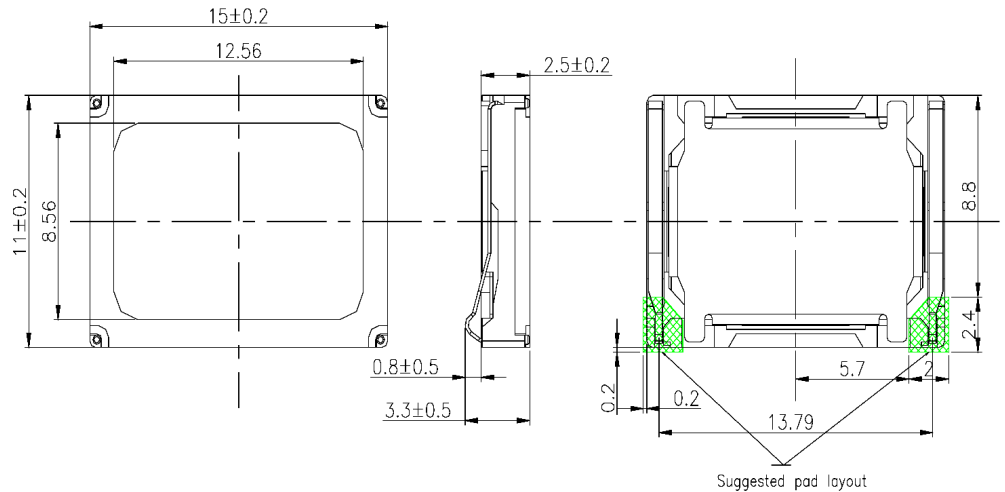
MATERIALS	
Housing	PBT
Cone	Peek
Magnet	NdFeB
Spring	Stainless Steel

TEMPERATURE RANGES	
Operating	-20 to +70 °C
Storage	-40 to +85 °C

Weight	1.5 g
--------	-------



Revision	Description	By	Date
1-2018	Updated mechanical drawing with spring positions	JL	2018-03-13
2-2019	Migrate to new format	JL	2019-06-21

Warranty: For a period of one (1) year from date of shipping under normal operations conditions This warranty does not apply to products damaged through misuse, abuse, improper installation, alteration, rework, or attempt to repair.

The information contained herein is believed to be correct, but no guarantee or warranty, express or implied, with respect to accuracy, completeness or results is extended and no liability is assumed. Challenge Electronics reserves the right to make changes in any specification, data or material contained herein.