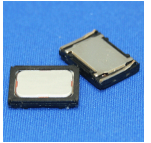


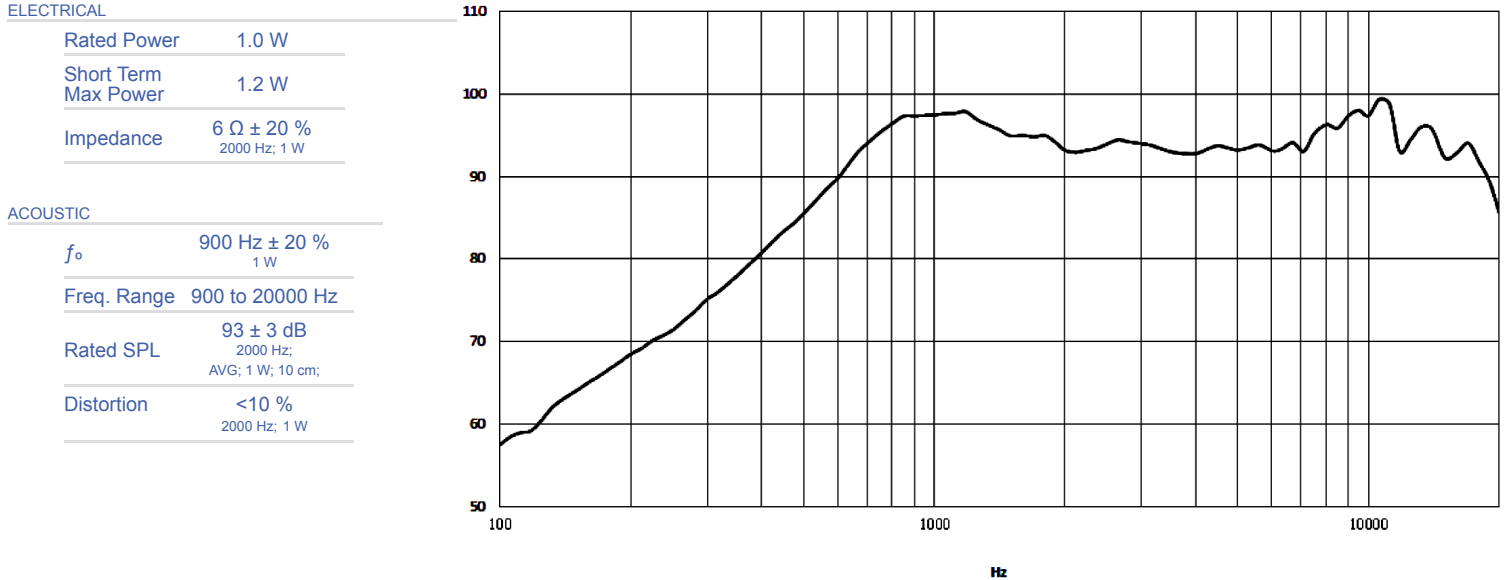
CS15-01R90-02-1

Former P/N: CS15R-0190-021

Rev. 3-2023
 RoHS3 & REACH
 Mobile Speakers



Operating Characteristics: 1cc Sealed Enclosure

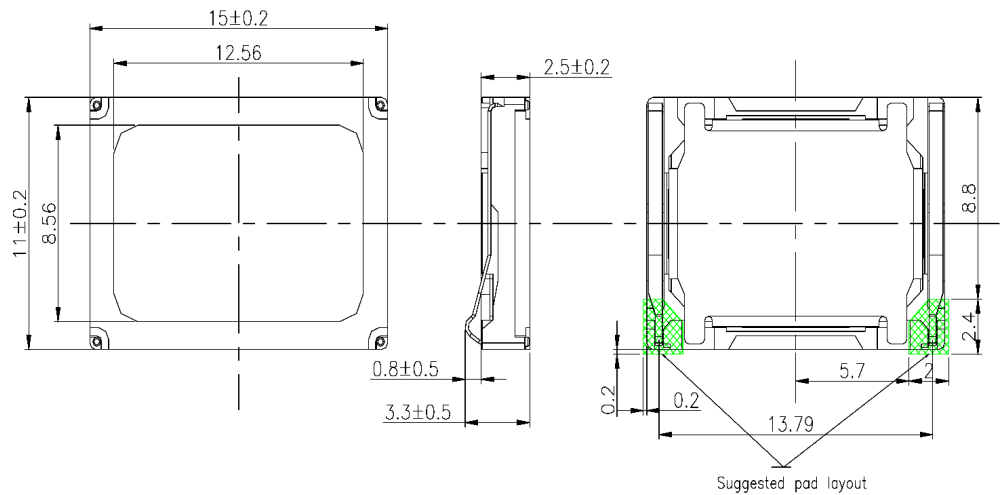


Physical Characteristics

MATERIALS	
Housing	PBT
Cone	Peek
Magnet	NdFeB
Spring	Stainless Steel

TEMPERATURE RANGES	
Operating	-20 to +70 °C
Storage	-40 to +85 °C

Weight	1.5 g
--------	-------



All measurements in mm unless otherwise noted.

Revision	Description	By	Date
2-2019	Migrate to new format	JL	2019-06-21
3-2023	Added part image.	SK	2023-05-19

Warranty: For a period of one (1) year from date of shipping under normal operations conditions. This warranty does not apply to products damaged through misuse, abuse, improper installation, alteration, rework, or attempt to repair.

The information contained herein is believed to be correct, but no guarantee or warranty, express or implied, with respect to accuracy, completeness or results is extended and no liability is assumed. Challenge Electronics reserves the right to make changes in any specification, data or material contained herein.