

INDICATORS • SPEAKERS • SOUND TRANSDUCERS • ENCLOSURES • MICROPHONES • BATTERY ACCESSORIES

CS16-00P78-03-1

Former P/N: CS160D032AF08SMN780UHR / CS160D032AFUHR

Rev. 3-2020
RoHS3 & REACH
Round Speakers



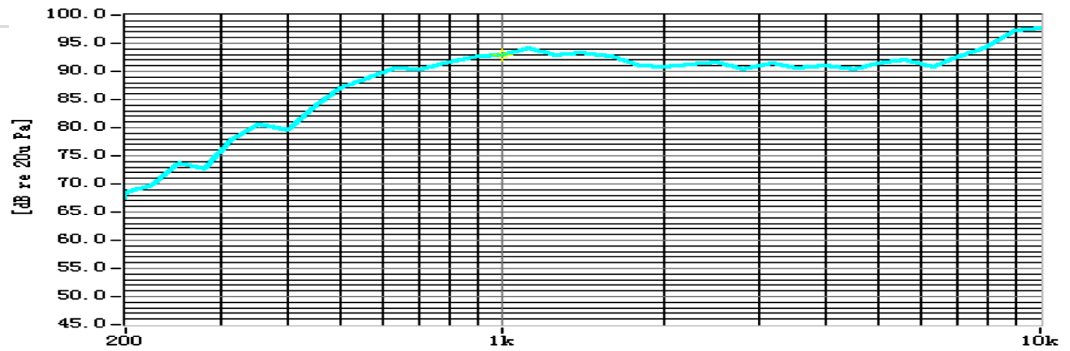
Operating Characteristics

ELECTRICAL

Rated Power	0.3 W
Short Term Max Power	0.5 W
Impedance	8 Ω ± 15 % 2,000 Hz; 0.125 W

ACOUSTIC: Baffle Board

f_0	780 Hz ± 15 % 0.125 W
Freq. Range	780 to 10000 Hz
Rated SPL	92 ± 3 dB IEC Coupler Hz; 0.3 W; 10 cm;
Distortion	<10 % 2000 Hz; 0.1 W



Physical Characteristics

MATERIALS

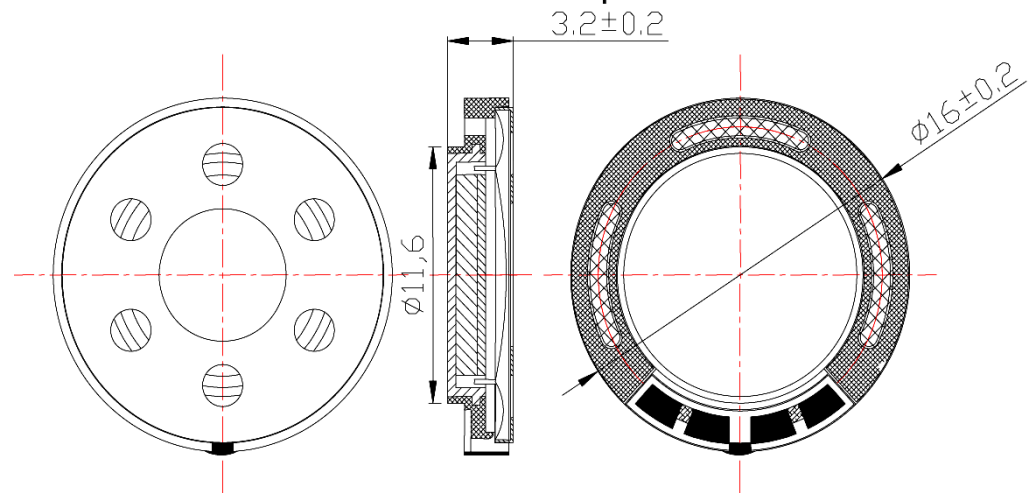
Housing	Steel
Cone	Mylar
Magnet	NdFeB
Solder Pad	Copper Foil

TEMPERATURE RANGES

Operating	-30 to +70 °C
Storage	-30 to +70 °C

Weight 1 g

Tolerance: ± 0.5 mm unless specified otherwise.



All Measurements are mm unless noted otherwise.

Revision	Description	By	Date
2-2019	Migrate to new format	WS	2019-06-21
3-2020	Added abbreviated former PN. Added general tolerance.	JL	2020-11-03

Warranty: For a period of one (1) year from date of shipping under normal operations conditions This warranty does not apply to products damaged through misuse, abuse, improper installation, alteration, rework, or attempt to repair.

The information contained herein is believed to be correct, but no guarantee or warranty, express or implied, with respect to accuracy, completeness or results is extended and no liability is assumed. Challenge Electronics reserves the right to make changes in any specification, data or material contained herein.

©2020 Challenge Electronics, Inc. Pub. 20201103094554