

INDICATORS • SPEAKERS • SOUND TRANSDUCERS • ENCLOSURES • MICROPHONES • BATTERY ACCESSORIES

CS16-00P85-02-2X

Former P/N: CES160V027BA07PM5N850URGX

 Rev. 2-2020
 RoHS3 & REACH & IPX7
 Mobile Speakers

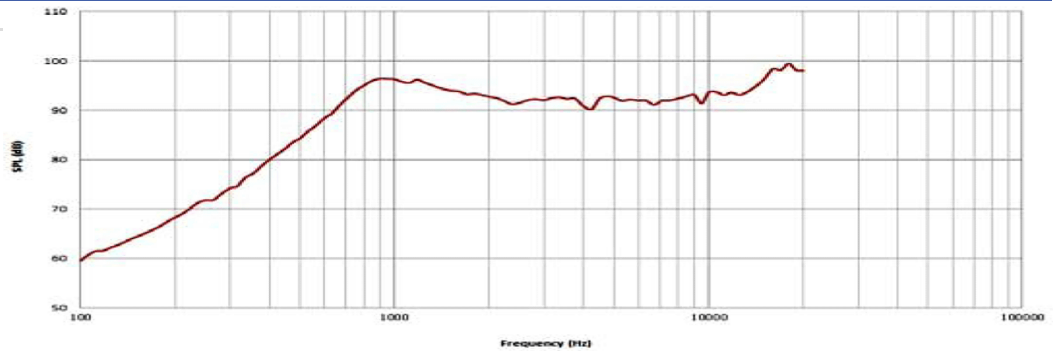

Operating Characteristics

ELECTRICAL

| | |
|----------------------|------------------------------|
| Rated Power | 0.7 W |
| Short Term Max Power | 1.0 W |
| Impedance | 7 Ω ± 15 % 2000 Hz; 0.7 W |

ACOUSTIC: 1cc Sealed Enclosure

| | |
|-------------|--|
| f_0 | 850 Hz ± 20 % 0.7 W |
| Freq. Range | 850 to 10000 Hz |
| Rated SPL | 92 ± 3 dB 2000 Hz; 0.7 W; 10 cm; |
| Distortion | <10 % 1000 Hz; 0.7 W |



Physical Characteristics

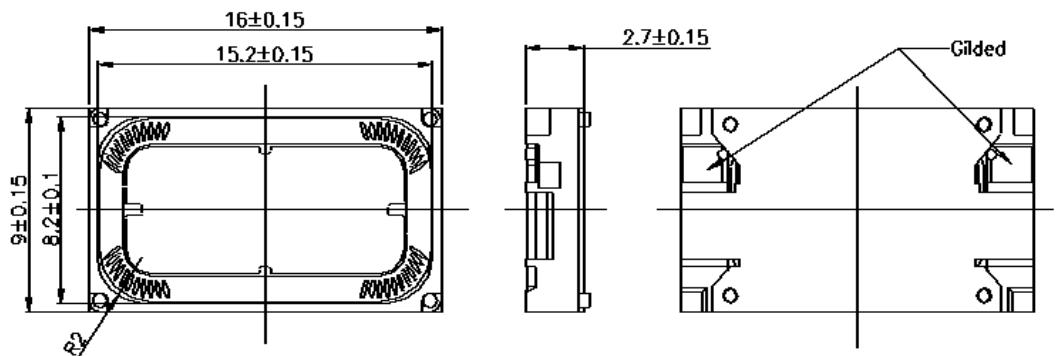
MATERIALS

| | |
|------------|----------------|
| Housing | Plastic |
| Cone | Mylar |
| Magnet | 5x NdFeB |
| Solder Pad | Tin Plated SUS |

TEMPERATURE RANGES

| | |
|-----------|---------------|
| Operating | -20 to +70 °C |
| Storage | -40 to +85 °C |

Weight 1.2 g



| Revision | Description | By | Date |
|----------|--|----|------------|
| 1-2019 | Migrate to new format | WS | 2019-06-21 |
| 2-2020 | Added magnet quantity to materials section | JL | 2020-04-02 |

Warranty: For a period of one (1) year from date of shipping under normal operations conditions This warranty does not apply to products damaged through misuse, abuse, improper installation, alteration, rework, or attempt to repair.

The information contained herein is believed to be correct, but no guarantee or warranty, express or implied, with respect to accuracy, completeness or results is extended and no liability is assumed. Challenge Electronics reserves the right to make changes in any specification, data or material contained herein.