

INDICATORS • SPEAKERS • SOUND TRANSDUCERS • ENCLOSURES • MICROPHONES • BATTERY ACCESSORIES

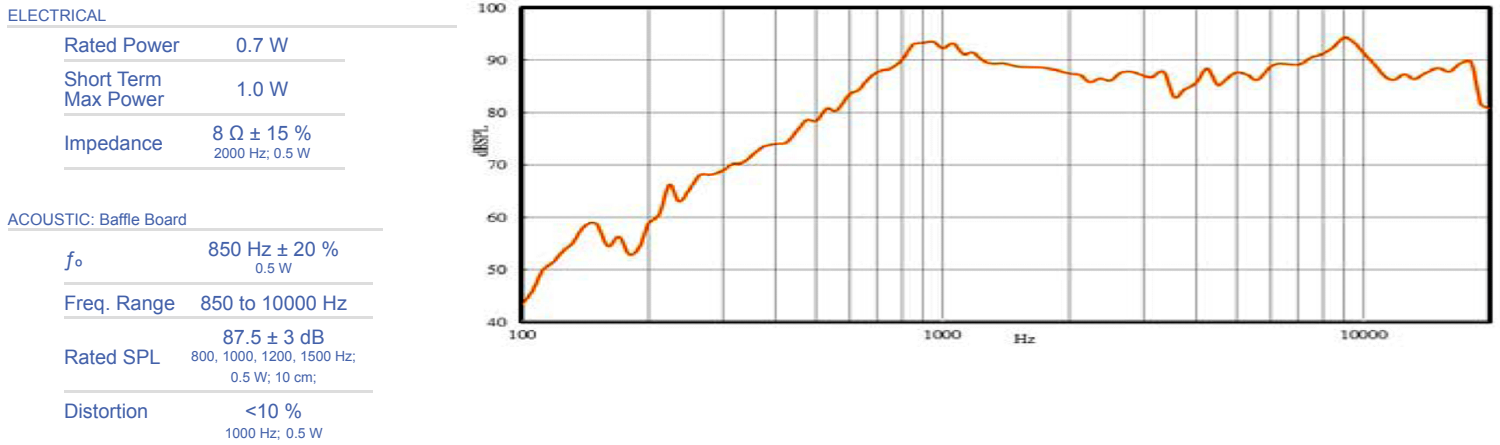
CS16-00P85-03-2

Former P/N: CES160V030BA08PMN850UR

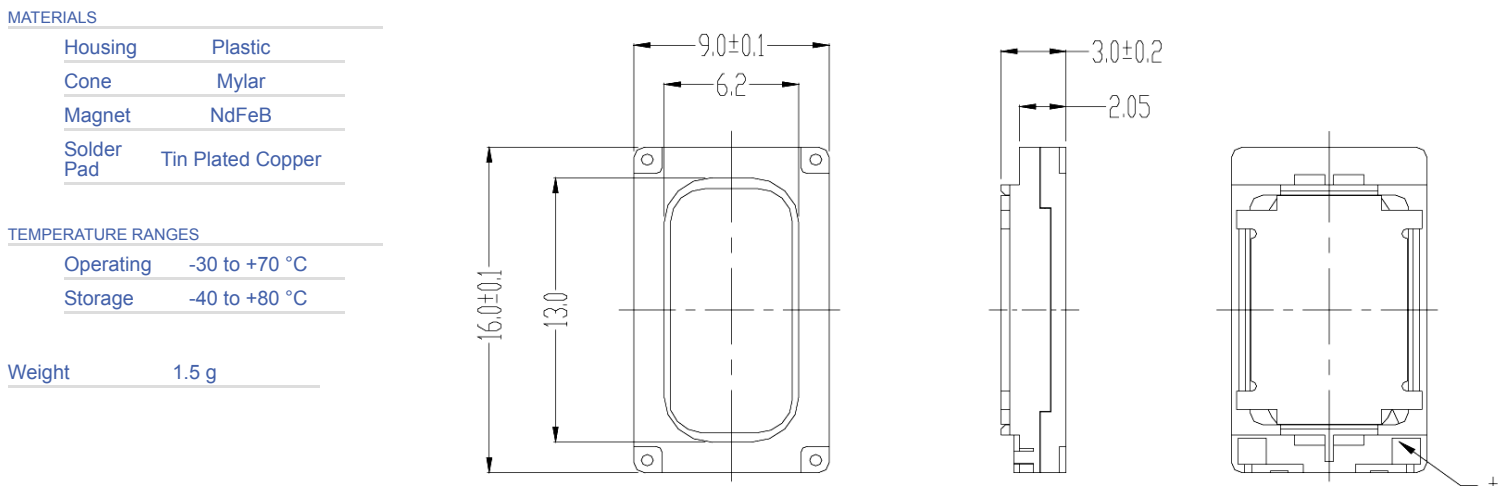
Rev. 1-2019
RoHS3 & REACH
Mobile Speakers



Operating Characteristics



Physical Characteristics



Revision	Description	By	Date
1-2019	Migrate to new format	JL	2019-06-21

Warranty: For a period of one (1) year from date of shipping under normal operations conditions This warranty does not apply to products damaged through misuse, abuse, improper installation, alteration, rework, or attempt to repair.