

INDICATORS • SPEAKERS • SOUND TRANSDUCERS • ENCLOSURES • MICROPHONES • BATTERY ACCESSORIES

## CS16-00P93-03-1

Former P/N: CES160V030AH08PMN930UR

 Rev. 1-2019  
 RoHS3 & REACH  
 Mobile Speakers


### Operating Characteristics

#### ELECTRICAL

Rated Power	0.5 W
Short Term Max Power	0.8 W
Impedance	8 Ω ± 20 % 2000 Hz; 0.5 W

#### ACOUSTIC: Baffle Board

$f_0$	930 Hz ± 20 % 0.5 W
Freq. Range	930 to 10000 Hz
Rated SPL	90 ± 3 dB 2000 Hz; 0.5 W; 10 cm;
Distortion	<15 % 1000 Hz; 0.5 W



### Physical Characteristics

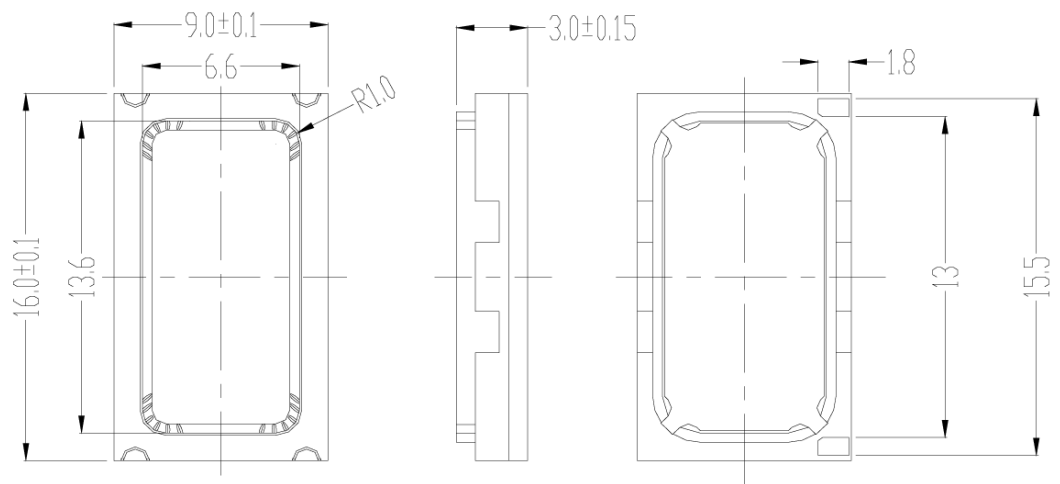
#### MATERIALS

Housing	Plastic
Cone	Mylar
Magnet	NdFeB
Solder Pad	Tin Plated SUS

#### TEMPERATURE RANGES

Operating	-30 to +70 °C
Storage	-40 to +80 °C

Weight 1.2 g



Revision	Description	By	Date
1-2019	Migrate to new format	JL	2019-06-21

Warranty: For a period of one (1) year from date of shipping under normal operations conditions This warranty does not apply to products damaged through misuse, abuse, improper installation, alteration, rework, or attempt to repair.

The information contained herein is believed to be correct, but no guarantee or warranty, express or implied, with respect to accuracy, completeness or results is extended and no liability is assumed. Challenge Electronics reserves the right to make changes in any specification, data or material contained herein.  
 ©2019 Challenge Electronics, Inc. 20190826154754