

INDICATORS • SPEAKERS • SOUND TRANSDUCERS • ENCLOSURES • MICROPHONES • BATTERY ACCESSORIES

## CS16-00R85-03-2

Former P/N: CS16R-0985-031

Rev. 2-2020  
RoHS3 & REACH  
Mobile Speakers



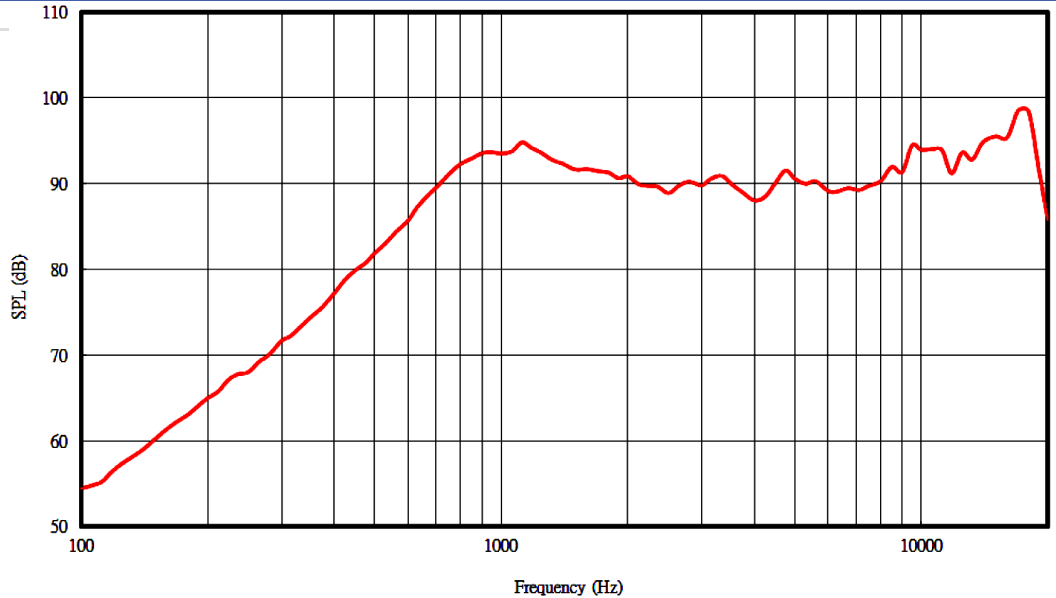
### Operating Characteristics

#### ELECTRICAL

Rated Power	0.94 W
Short Term Max Power	1.2 W
Impedance	6 Ω ± 20 % 2000 Hz; 0.94 W

#### ACOUSTIC: 1cc Sealed Enclosure

$f_0$	850 Hz ± 20 % 0.94 W; 10 cm
Freq. Range	850 to 10000 Hz
Rated SPL	91 ± 3 dB 2000 Hz; 0.94 W; 10 cm;
Distortion	<10 % 1000 Hz; 0.94 W



### Physical Characteristics

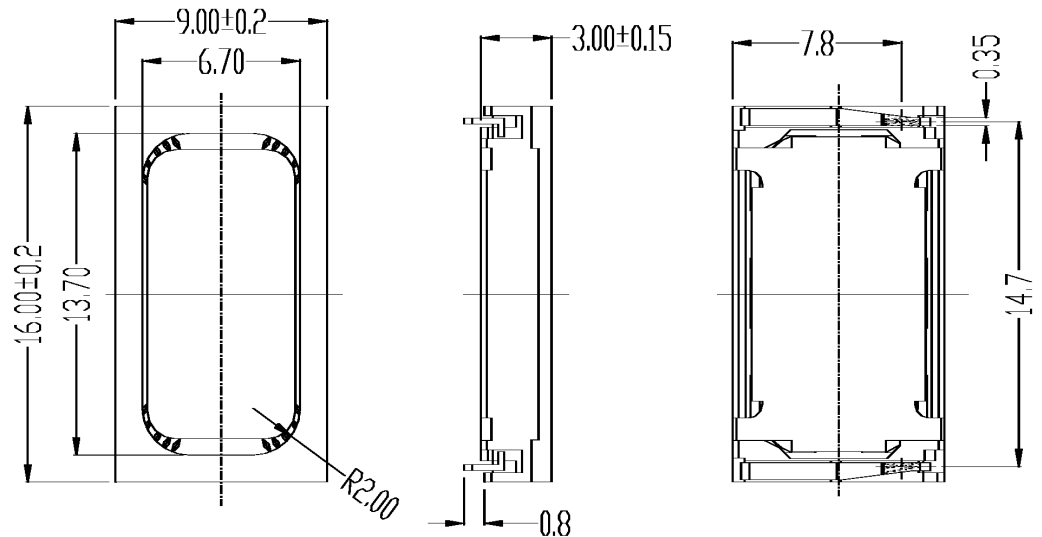
#### MATERIALS

Housing	Plastic
Cone	Mylar
Magnet	5x NdFeB
Spring	Stainless Steel

#### TEMPERATURE RANGES

Operating	-20 to +60 °C
Storage	-40 to +70 °C

Weight 1.2 g



Revision	Description	By	Date
1-2019	Migrate to new format	WS	2019-06-21
2-2020	Added magnet quantity to materials section	JL	2020-04-02

Warranty: For a period of one (1) year from date of shipping under normal operations conditions This warranty does not apply to products damaged through misuse, abuse, improper installation, alteration, rework, or attempt to repair.

The information contained herein is believed to be correct, but no guarantee or warranty, express or implied, with respect to accuracy, completeness or results is extended and no liability is assumed. Challenge Electronics reserves the right to make changes in any specification, data or material contained herein.