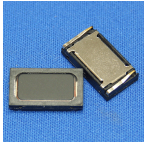


CS16-00R85-03-2

Former P/N: CS16R-0985-031

Rev. 3-2023
RoHS3 & REACH
Mobile Speakers



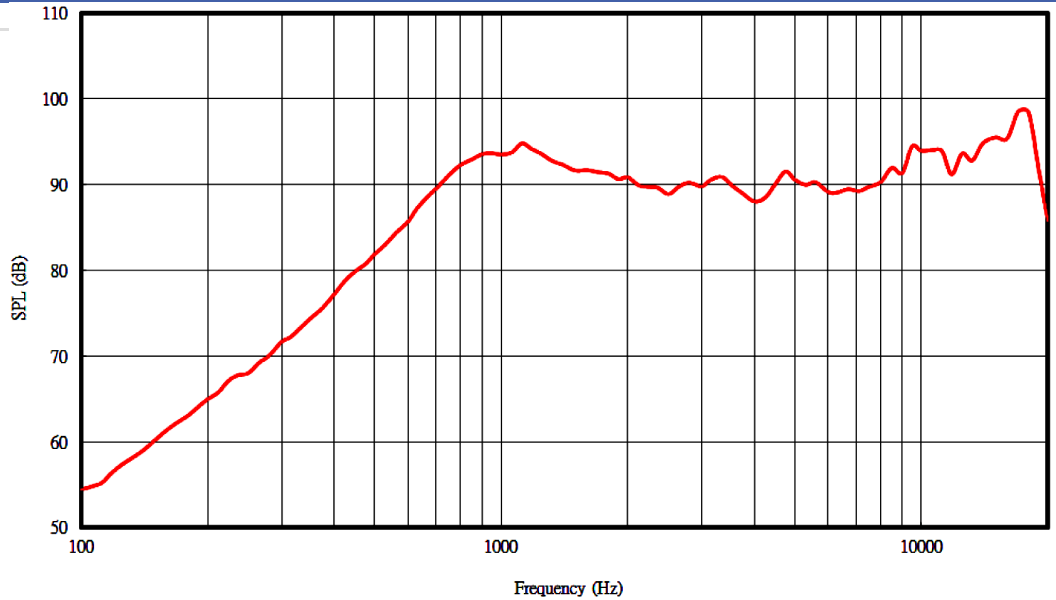
Operating Characteristics: 1cc Sealed Enclosure

ELECTRICAL

Rated Power	0.94 W
Short Term Max Power	1.2 W
Impedance	6 Ω ± 20 % 2000 Hz; 0.94 W

ACOUSTIC

f_o	850 Hz ± 20 % 0.94 W; 10 cm
Freq. Range	850 to 10000 Hz
Rated SPL	91 ± 3 dB 2000 Hz; AVG; 0.94 W; 10 cm;
Distortion	<10 % 1000 Hz; 0.94 W



Physical Characteristics

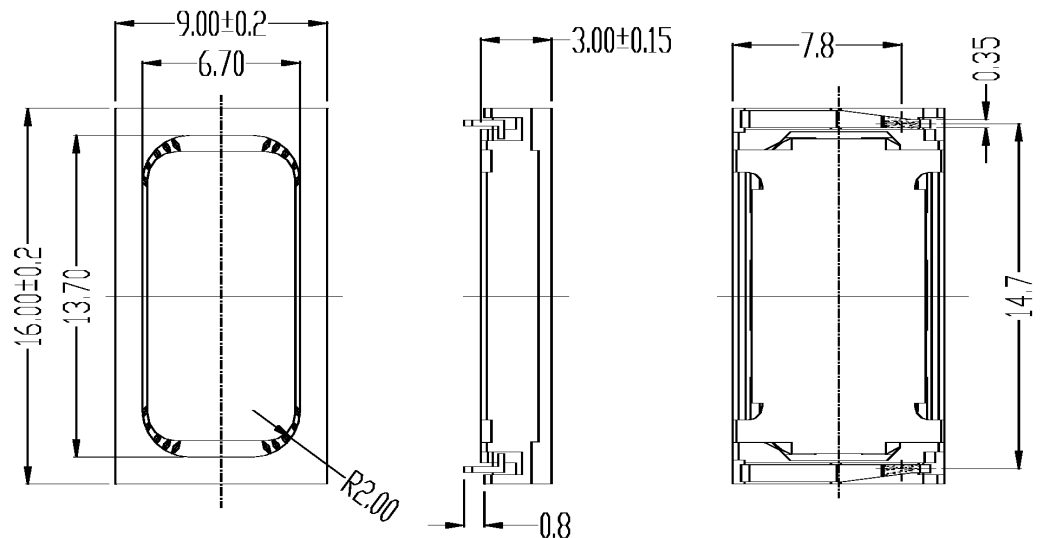
MATERIALS

Housing	Plastic
Cone	Mylar
Magnet	5x NdFeB
Spring	Stainless Steel

TEMPERATURE RANGES

Operating	-20 to +60 °C
Storage	-40 to +70 °C

Weight 1.2 g



All measurements in mm unless otherwise noted.

Revision	Description	By	Date
2-2020	Added magnet quantity to materials section	JL	2020-04-02
3-2023	Added part image.	SK	2023-05-19

Warranty: For a period of one (1) year from date of shipping under normal operations conditions. This warranty does not apply to products damaged through misuse, abuse, improper installation, alteration, rework, or attempt to repair.

The information contained herein is believed to be correct, but no guarantee or warranty, express or implied, with respect to accuracy, completeness or results is extended and no liability is assumed. Challenge Electronics reserves the right to make changes in any specification, data or material contained herein.