

CS16-01P88-02-1

 Rev. 0-2021
 RoHS3 & REACH
 Mobile Speakers

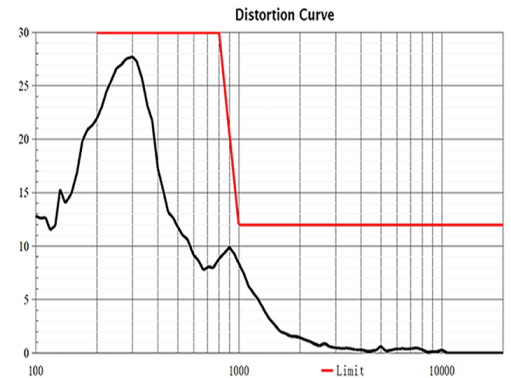
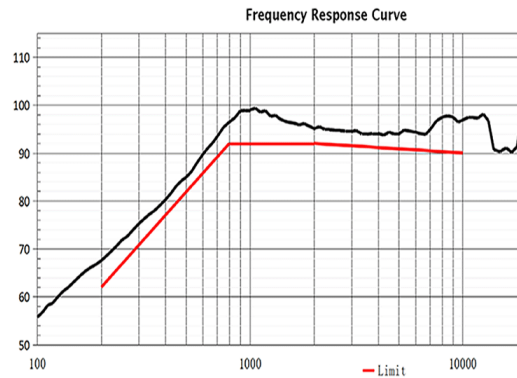

Operating Characteristics

ELECTRICAL

| | |
|----------------------|----------------------------|
| Rated Power | 1 W |
| Short Term Max Power | 1.5 W |
| Impedance | 8 Ω ± 20 % 2000 Hz; 1 W |

ACOUSTIC: 1cc Sealed Enclosure

| | |
|-------------|--------------------------------------|
| f_o | 880 Hz ± 20 % 1 W |
| Freq. Range | 880 to 20000 Hz |
| Rated SPL | 96 ± 3 dB 2000 Hz; 1 W; 10 cm; |
| Distortion | See Chart % Hz; |



Physical Characteristics

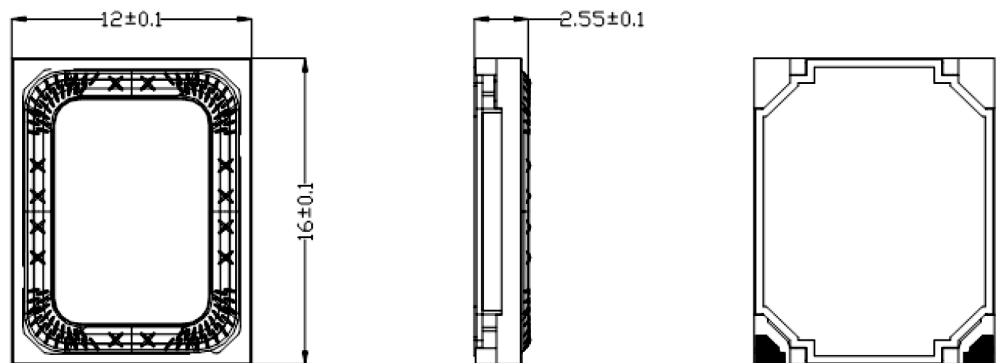
MATERIALS

| | |
|-------------|-------------------------------|
| Housing | Plastic |
| Cone | TPEE |
| Magnet | NdFeB |
| Solder Pads | Tin Plated Stainless Steel |

TEMPERATURE RANGES

| | |
|-----------|---------------|
| Operating | -20 to +60 °C |
| Storage | -40 to +85 °C |

| | |
|--------|-------|
| Weight | 1.7 g |
|--------|-------|



Unless otherwise specified, Tolerance: ±0.15mm

All Measurements are mm unless noted otherwise.

| Revision | Description | By | Date |
|----------|------------------------|----|------------|
| 0-2021 | Original Specification | CT | 2021-08-03 |

Warranty: For a period of one (1) year from date of shipping under normal operations conditions. This warranty does not apply to products damaged through misuse, abuse, improper installation, alteration, rework, or attempt to repair.

The information contained herein is believed to be correct, but no guarantee or warranty, express or implied, with respect to accuracy, completeness or results is extended and no liability is assumed. Challenge Electronics reserves the right to make changes in any specification, data or material contained herein.
 ©2021 Challenge Electronics, Inc. Pub. 20210803162532