

CS16-00R78-03-1

Former P/N: CS160D032AF08SMN780SHR

Rev. 2-2019
RoHS3 & REACH
Round Speakers



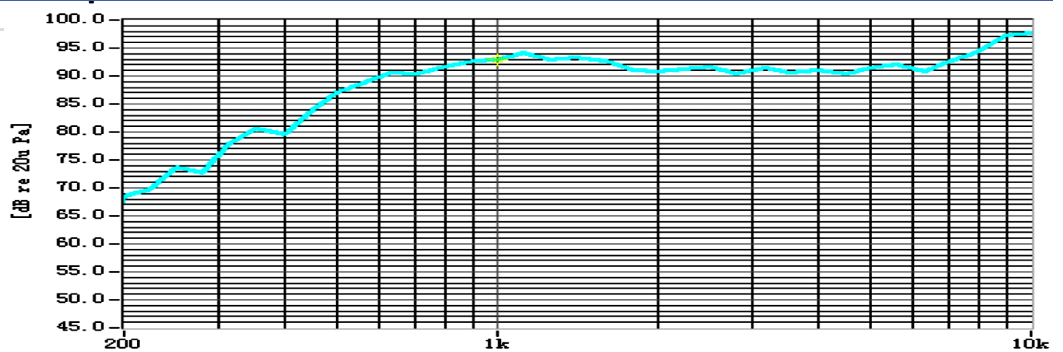
Operating Characteristics

ELECTRICAL

Rated Power	0.3 W
Short Term Max Power	0.5 W
Impedance	8 Ω ± 15 % 2000 Hz; 0.125 W

ACOUSTIC: Baffle Board

f_0	780 Hz ± 15 % 0.125 W
Freq. Range	780 to 10000 Hz
Rated SPL	92 ± 3 dB IEC Coupler Hz; 0.3 W; 10 cm;
Distortion	<10 % 2000 Hz; 0.1 W



Physical Characteristics

MATERIALS

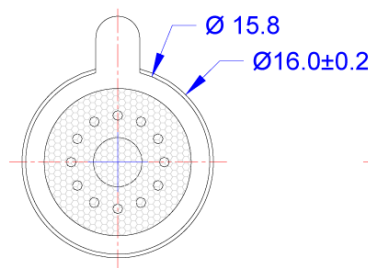
Housing	Steel
Cone	Mylar
Magnet	NdFeB
Spring	Stainless Steel

TEMPERATURE RANGES

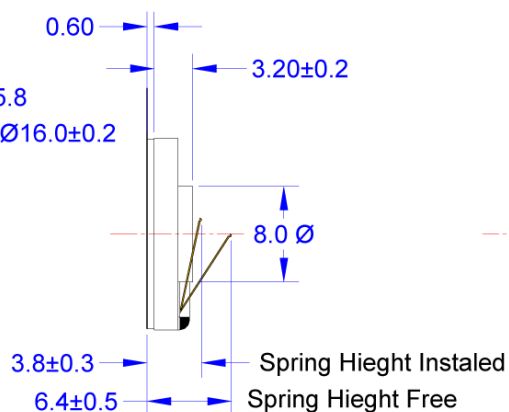
Operating	-30 to +70 °C
Storage	-30 to +70 °C

Weight 1 g

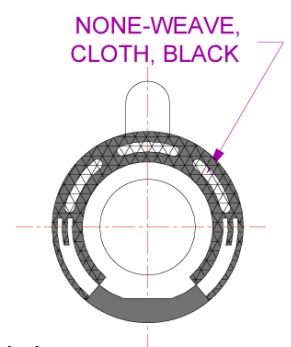
FRONT VIEW



SIDE VIEW



BACK VIEW



Revision	Description	By	Date
2-2019	Migrate to new format	WS	2019-06-21

Warranty: For a period of one (1) year from date of shipping under normal operations conditions This warranty does not apply to products damaged through misuse, abuse, improper installation, alteration, rework, or attempt to repair.