

INDICATORS • SPEAKERS • SOUND TRANSDUCERS • ENCLOSURES • MICROPHONES • BATTERY ACCESSORIES

## CS16-00P78-03-1

Former P/N: CS160D032AF08SMN780UHR

Rev. 2-2019  
 RoHS3 & REACH  
 Round Speakers



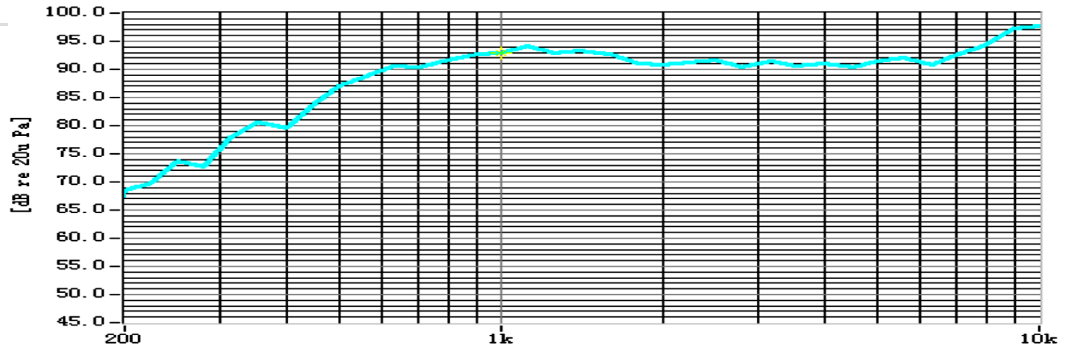
### Operating Characteristics

#### ELECTRICAL

Rated Power	0.3 W
Short Term Max Power	0.5 W
Impedance	8 Ω ± 15 % 2,000 Hz; 0.125 W

#### ACOUSTIC: Baffle Board

$f_0$	780 Hz ± 15 % 0.125 W
Freq. Range	780 to 10000 Hz
Rated SPL	92 ± 3 dB IEC Coupler Hz; 0.3 W; 10 cm;
Distortion	<10 % 2000 Hz; 0.1 W



### Physical Characteristics

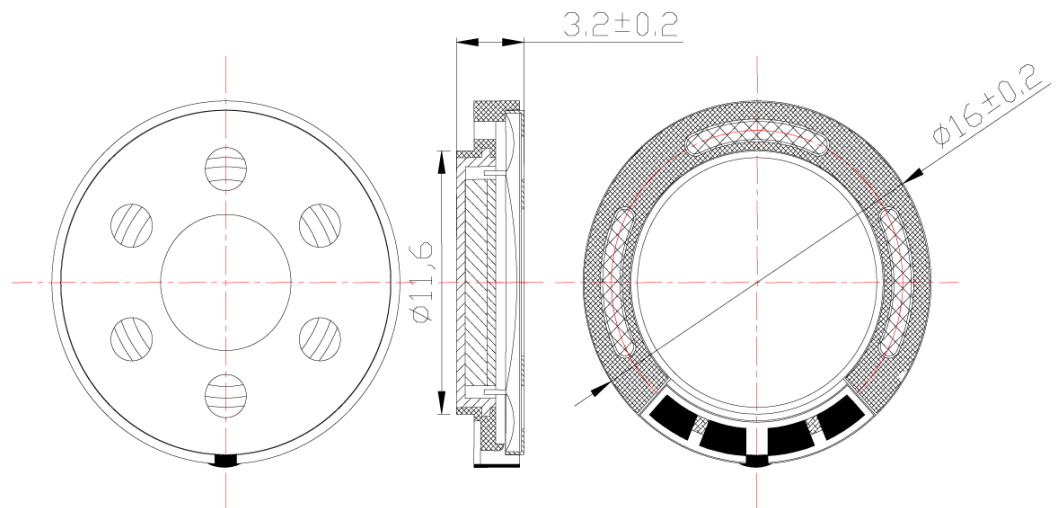
#### MATERIALS

Housing	Steel
Cone	Mylar
Magnet	NdFeB
Solder Pad	Copper Foil

#### TEMPERATURE RANGES

Operating	-30 to +70 °C
Storage	-30 to +70 °C

Weight 1 g



Revision	Description	By	Date
2-2019	Migrate to new format	WS	2019-06-21

Warranty: For a period of one (1) year from date of shipping under normal operations conditions This warranty does not apply to products damaged through misuse, abuse, improper installation, alteration, rework, or attempt to repair.

The information contained herein is believed to be correct, but no guarantee or warranty, express or implied, with respect to accuracy, completeness or results is extended and no liability is assumed. Challenge Electronics reserves the right to make changes in any specification, data or material contained herein.  
 ©2019 Challenge Electronics, Inc. 20190826155346