

INDICATORS • SPEAKERS • SOUND TRANSDUCERS • ENCLOSURES • MICROPHONES • BATTERY ACCESSORIES

CS18-00P100-03-1

Former P/N: CES180R033AE32SMN1000UR

Rev. 2-2019
RoHS3 & REACH
Round Speakers



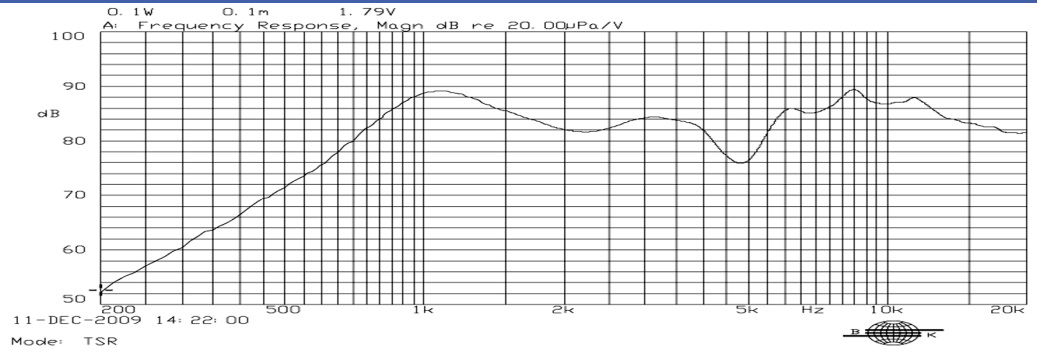
Operating Characteristics

ELECTRICAL

Rated Power	0.25 W
Short Term Max Power	0.5 W
Impedance	32 Ω ± 15 % 2000 Hz; 0.0313 W

ACOUSTIC: Baffle Board

f_0	1000 Hz ± 20 % 0.03 W
Freq. Range	1000 to 5000 Hz
Rated SPL	86 ± 3 dB 800, 1000, 1200, 1500 Hz; 0.1 W; 10 cm;
Distortion	<5 % 1000 Hz; 0.002 Vrms



Physical Characteristics

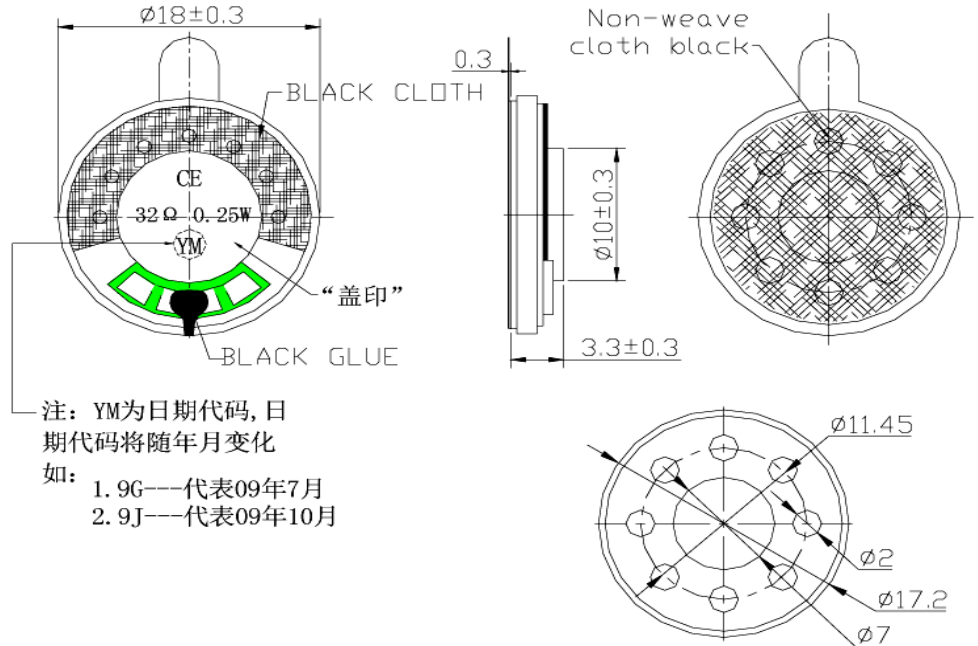
MATERIALS

Housing	Steel
Cone	Mylar
Magnet	NdFeB
Solder Pad	Tin Plated Copper

TEMPERATURE RANGES

Operating	-30 to +85 °C
Storage	-30 to +85 °C

Weight 1.4 g



Revision	Description	By	Date
1-2016	Changed impedance measurement condition from 1kHz to 2kHz.	WS	2016-11-02
2-2019	Migrate to new format	WS	2019-06-21

Warranty: For a period of one (1) year from date of shipping under normal operations conditions This warranty does not apply to products damaged through misuse, abuse, improper installation, alteration, rework, or attempt to repair.