

INDICATORS • SPEAKERS • SOUND TRANSDUCERS • ENCLOSURES • MICROPHONES • BATTERY ACCESSORIES

CS18-00P80-02-1

Former P/N: CES180V025BA08PM3N800UR

 Rev. 2-2020
 RoHS3 & REACH
 Mobile Speakers

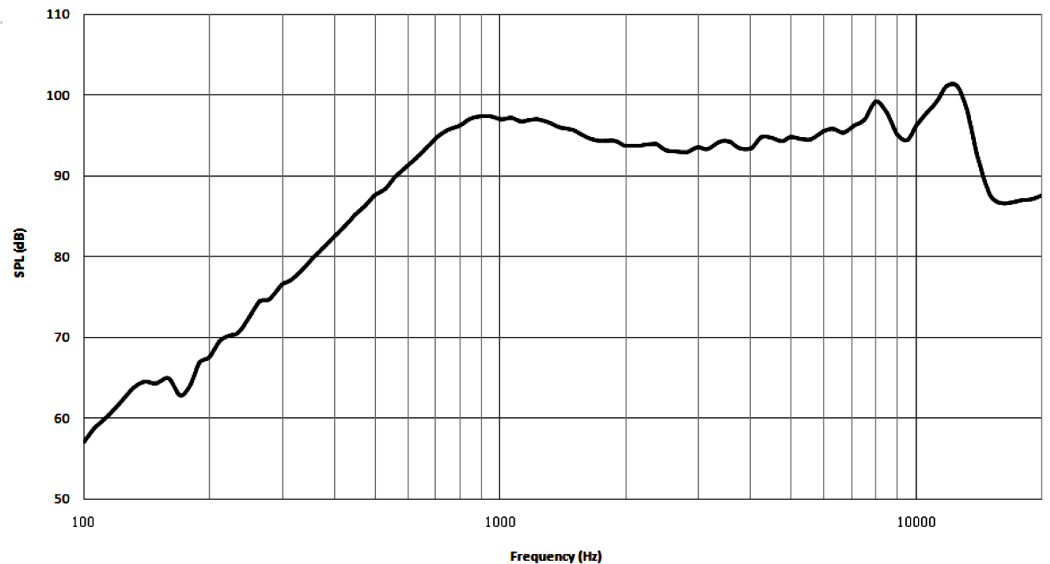

Operating Characteristics

ELECTRICAL

| | |
|----------------------|------------------------------|
| Rated Power | 0.7 W |
| Short Term Max Power | 1.0 W |
| Impedance | 8 Ω ± 15 % 2000 Hz; 0.7 W |

ACOUSTIC: 1CC Sealed Enclosure

| | |
|-------------|--|
| f_o | 800 Hz ± 20 % 0.7 W |
| Freq. Range | 800 to 10000 Hz |
| Rated SPL | 93 ± 3 dB 2000 Hz; 0.7 W; 10 cm; |
| Distortion | <10 % 1000 Hz; 0.7 W |



Physical Characteristics

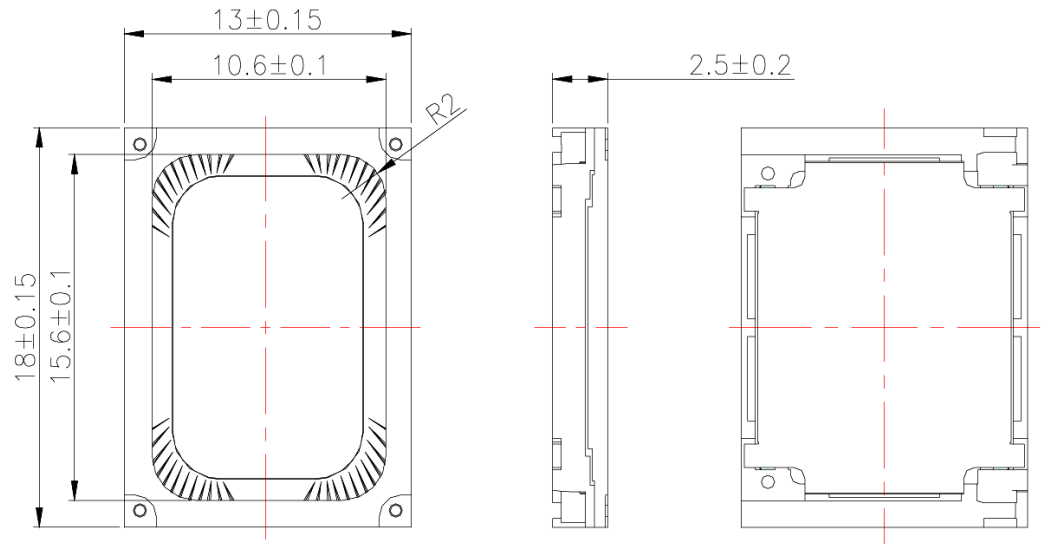
MATERIALS

| | |
|------------|----------------|
| Housing | PPA Plastic |
| Cone | PEEK Plastic |
| Magnet | 3x NdFeB |
| Solder Pad | Tin Plated SUS |

TEMPERATURE RANGES

| | |
|-----------|---------------|
| Operating | -20 to +70 °C |
| Storage | -40 to +85 °C |

Weight 1.8 g



| Revision | Description | By | Date |
|----------|--|----|------------|
| 1-2018 | Migrate to new format. Updated storage temperature from -40 - 80°C to -40 - 85°C and operating temperature from -30 - 70°C to -20 - 70°C. Updated frame material from plastic to PPA plastic and cone/diaphragm material from Mylar to PEEK Plastic. Corrected distortion input power from 2 V to 0.7 W. | JL | 2018-12-17 |
| 2-2020 | Added magnet quantity to materials section | JL | 2020-04-02 |

Warranty: For a period of one (1) year from date of shipping under normal operations conditions This warranty does not apply to products damaged through misuse, abuse, improper installation, alteration, rework, or attempt to repair.

The information contained herein is believed to be correct, but no guarantee or warranty, express or implied, with respect to accuracy, completeness or results is extended and no liability is assumed. Challenge Electronics reserves the right to make changes in any specification, data or material contained herein.