

INDICATORS • SPEAKERS • SOUND TRANSDUCERS • ENCLOSURES • MICROPHONES • BATTERY ACCESSORIES

## CS18-00R85-02-1

Former P/N: CES180V025BA08PMN850SR

Rev. 3-2019  
RoHS3 & REACH  
Mobile Speakers



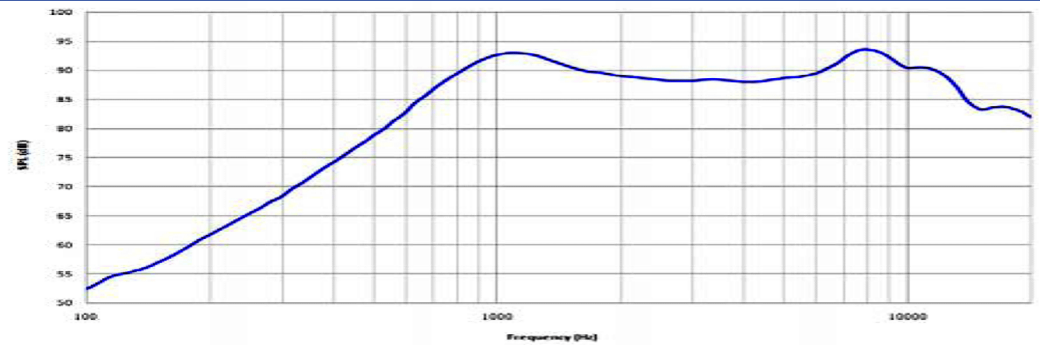
### Operating Characteristics

#### ELECTRICAL

Rated Power	0.5 W
Short Term Max Power	1.0 W
Impedance	8 $\Omega$ $\pm$ 15 % 2000 Hz; 0.5 W

#### ACOUSTIC: 1cc Sealed Enclosure

$f_0$	850 Hz $\pm$ 20 % 0.7 W
Freq. Range	850 to 10000 Hz
Rated SPL	88 $\pm$ 3 dB 2000 Hz; 0.5 W; 10 cm;
Distortion	<5 % 1000 Hz; 0.125 W



### Physical Characteristics

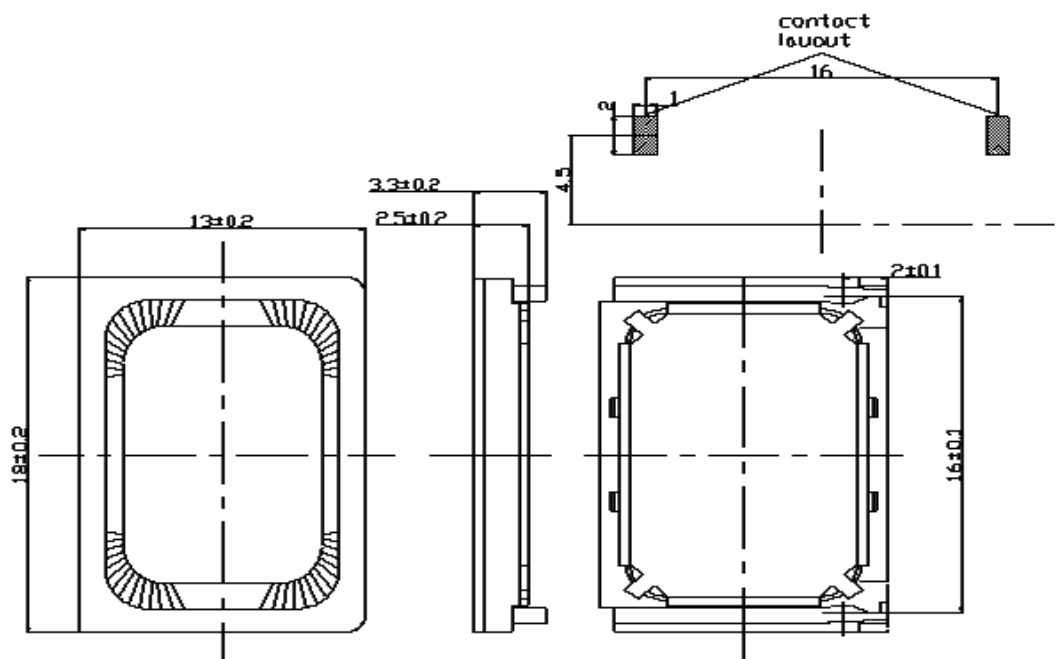
#### MATERIALS

Housing	Plastic
Cone	Mylar
Magnet	NdFeB
Spring	Stainless Steel

#### TEMPERATURE RANGES

Operating	-20 to +70 $^{\circ}$ C
Storage	-40 to +85 $^{\circ}$ C

Weight 1.8 g



Revision	Description	By	Date
2-2016	Increase THD from 5% to 10%. Added pad layout to mechanical drawing.	WS	2019-10-05
3-2019	Migrate to new format.	JL	2019-03-26

Warranty: For a period of one (1) year from date of shipping under normal operations conditions This warranty does not apply to products damaged through misuse, abuse, improper installation, alteration, rework, or attempt to repair.