

INDICATORS • SPEAKERS • SOUND TRANSDUCERS • ENCLOSURES • MICROPHONES • BATTERY ACCESSORIES

CS18-00R90-04-1

Former P/N: CS18R-0090-041

Rev. 1-2019
RoHS3 & REACH
Mobile Speakers



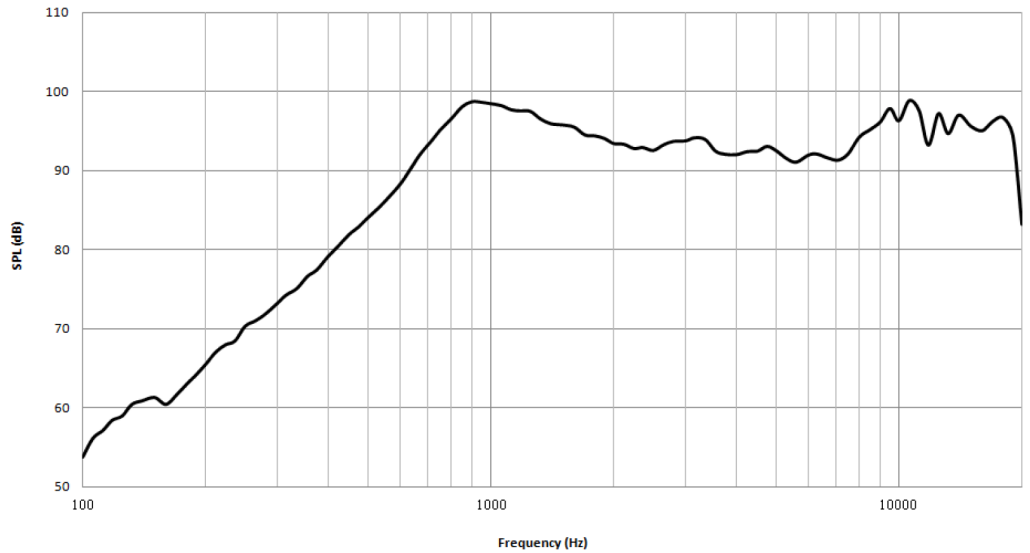
Operating Characteristics

ELECTRICAL

Rated Power	0.7 W
Short Term Max Power	1.0 W
Impedance	8 Ω ± 15 % 2000 Hz; 0.7 W

ACOUSTIC: 1CC Sealed Enclosure

f_0	900 Hz ± 20 % 0.7 W
Freq. Range	900 to 10000 Hz
Rated SPL	94 ± 3 dB 2000 Hz; 0.7 W; 10 cm;
Distortion	<10 % 1000 Hz; 0.7 W



Physical Characteristics

MATERIALS

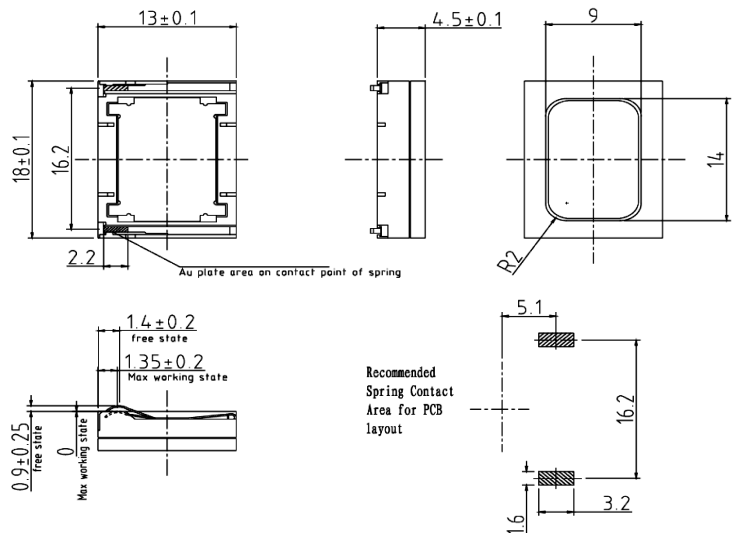
Housing	PPA
Cone	PEEK
Magnet	NdFeB
Spring	Stainless Steel

TEMPERATURE RANGES

Operating	-20 to +70 °C
Storage	-40 to +85 °C

Weight 2 g

Unit: mm ± 0.2



Revision	Description	By	Date
0-2019	Initial Specification Sheet	JL	2019-04-30
1-2019	Migrate to new format.	CF	2019-06-24

Warranty: For a period of one (1) year from date of shipping under normal operations conditions This warranty does not apply to products damaged through misuse, abuse, improper installation, alteration, rework, or attempt to repair.

The information contained herein is believed to be correct, but no guarantee or warranty, express or implied, with respect to accuracy, completeness or results is extended and no liability is assumed. Challenge Electronics reserves the right to make changes in any specification, data or material contained herein.