

INDICATORS • SPEAKERS • SOUND TRANSDUCERS • ENCLOSURES • MICROPHONES • BATTERY ACCESSORIES

## CS18-01P55-05-1

Former P/N: CES180R055BF08PMN550UR

 Rev. 1-2019  
 RoHS3 & REACH  
 Round Speakers

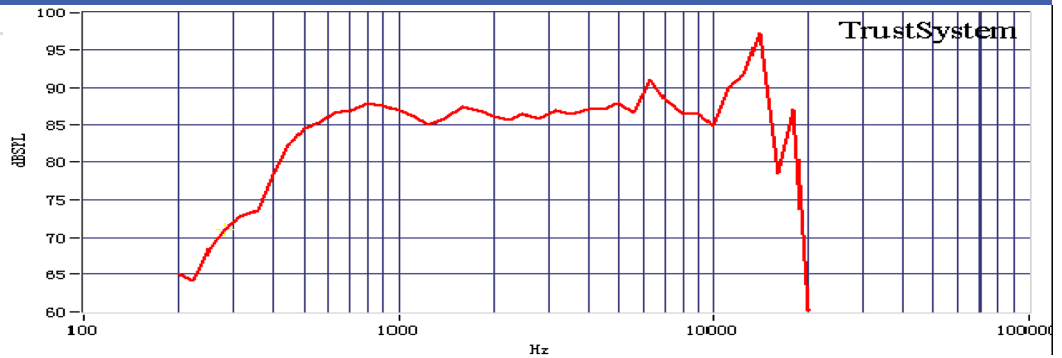

### Operating Characteristics

#### ELECTRICAL

|                      |                              |
|----------------------|------------------------------|
| Rated Power          | 1.0 W                        |
| Short Term Max Power | 1.5 W                        |
| Impedance            | 8 ± 15 Ω<br>1000 Hz; 0.125 W |

#### ACOUSTIC: Baffle Board

|             |   |
|-------------|---|
| $f_0$       | 550 Hz ± 20 %<br>0.125 W                                |
| Freq. Range | 550 to 20000 Hz   |
| Rated SPL   | 87 ± 3 dB<br>800, 1000, 1200, 1500 Hz;<br>0.1 W; 10 cm; |
| Distortion  | 5 %<br>1000 Hz; 0.125 W                                 |



### Physical Characteristics

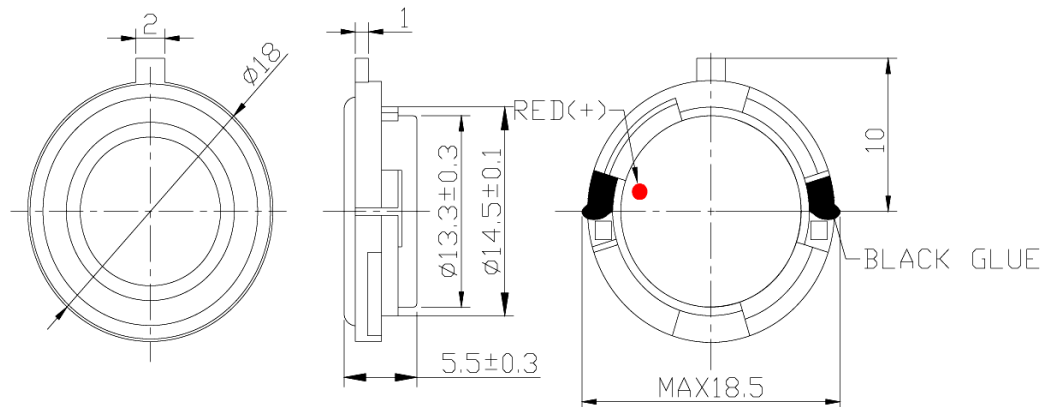
#### MATERIALS

|            |                   |
|------------|-------------------|
| Housing    | LCP               |
| Cone       | PU Edge + PI Cap  |
| Magnet     | NdFeB             |
| Solder Pad | Tin Plated Copper |

#### TEMPERATURE RANGES

|           |               |
|-----------|---------------|
| Operating | -25 to +60 °C |
| Storage   | -25 to +60 °C |

Weight 3 g



| Revision | Description           | By | Date       |
|----------|-----------------------|----|------------|
| 1-2019   | Migrate to new format | WS | 2019-06-21 |

Warranty: For a period of one (1) year from date of shipping under normal operations conditions This warranty does not apply to products damaged through misuse, abuse, improper installation, alteration, rework, or attempt to repair.