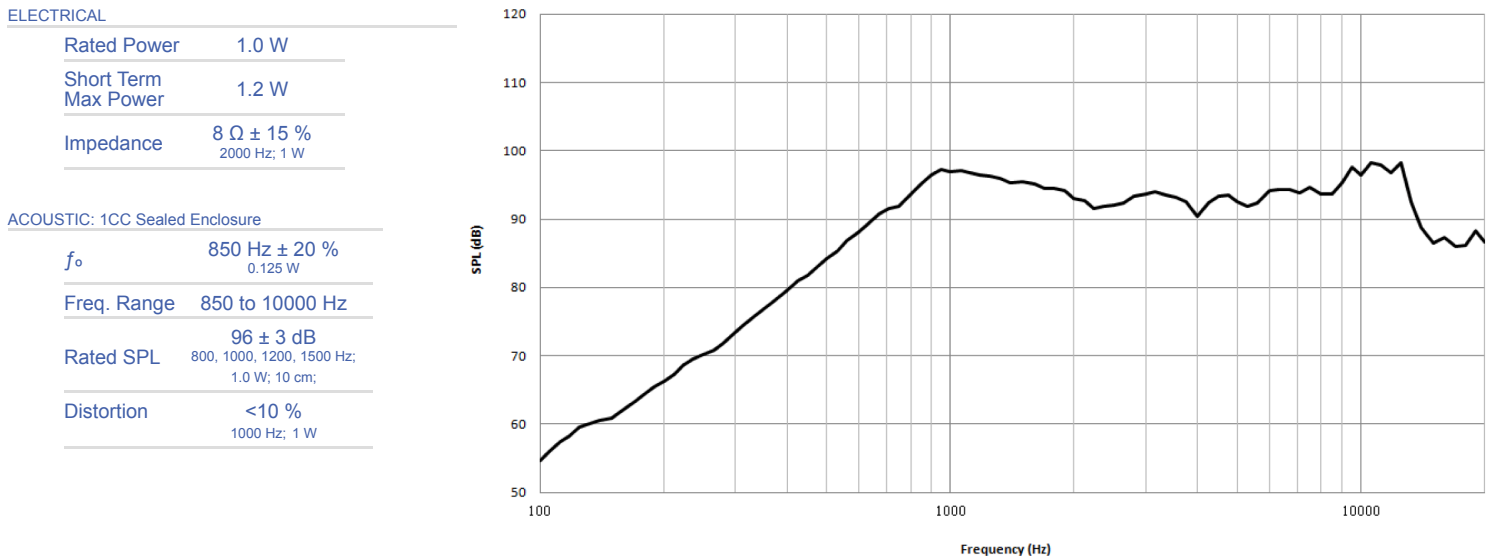


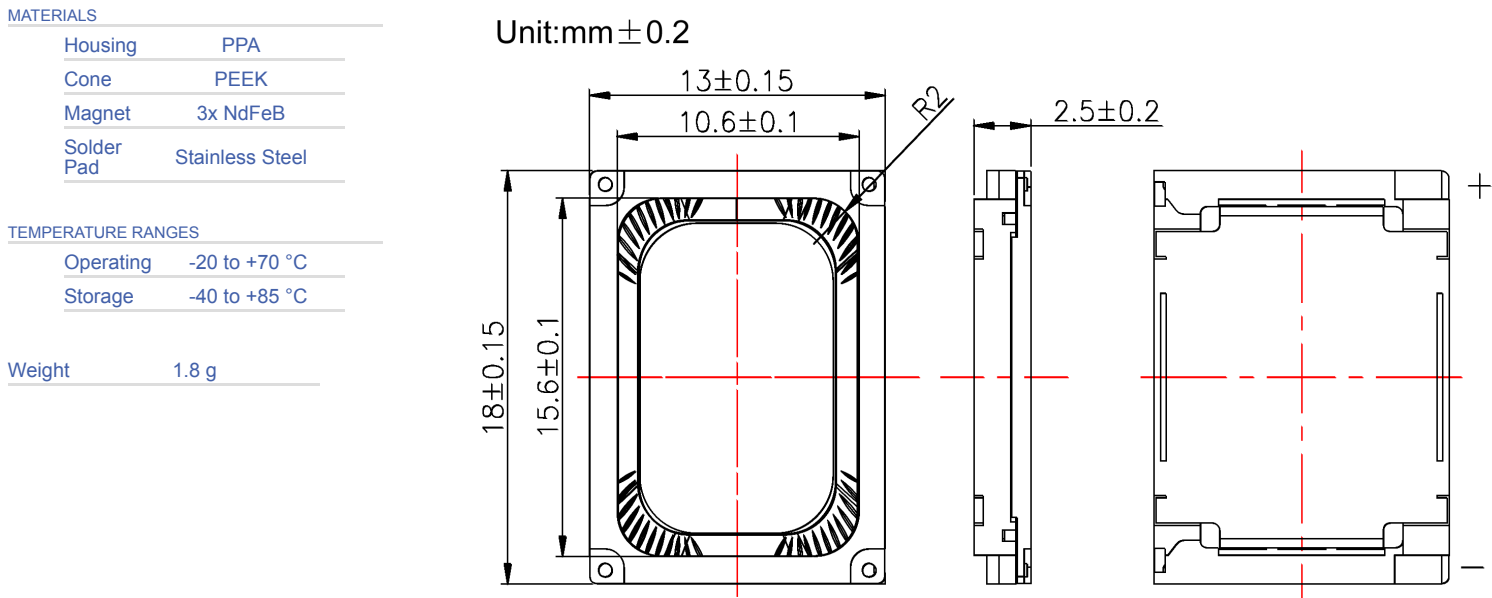
CS18-01P85-02-2

 Rev. 1-2020
 RoHS3 & REACH
 Mobile Speakers


Operating Characteristics



Physical Characteristics



Revision	Description	By	Date
0-2019	Initial Specification Sheet	JL	2019-06-26
1-2020	Added magnet quantity to materials section.	JL	2020-03-20

Warranty: For a period of one (1) year from date of shipping under normal operations conditions This warranty does not apply to products damaged through misuse, abuse, improper installation, alteration, rework, or attempt to repair.

The information contained herein is believed to be correct, but no guarantee or warranty, express or implied, with respect to accuracy, completeness or results is extended and no liability is assumed. Challenge Electronics reserves the right to make changes in any specification, data or material contained herein.