

CS18-01R80-02-1

Rev. 0-2025
RoHS3 & REACH
Mobile Speakers



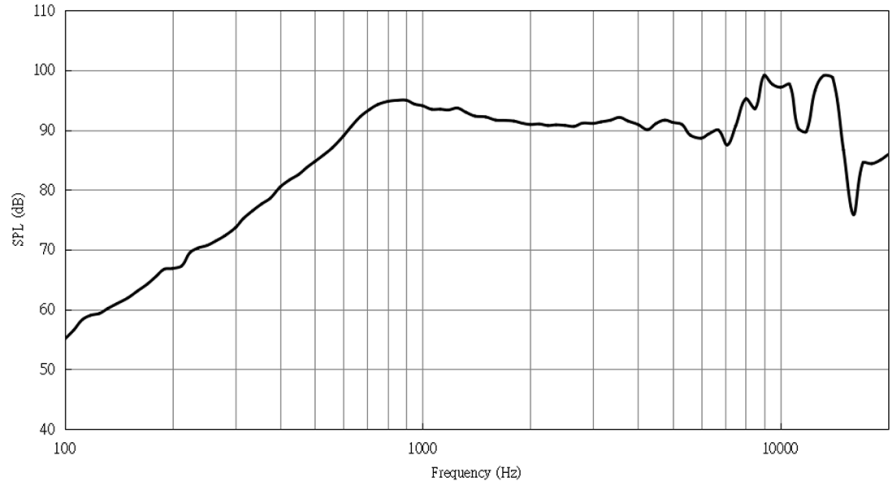
Operating Characteristics: Baffle Board

ELECTRICAL

Rated Power	1 W
Short Term Max Power	1.1 W
Impedance	8 Ω ± 15 % 2,000 Hz; 1 W

ACOUSTIC

f_0	800 Hz ± 20 % 1 W
Freq. Range	500 to 10,000 Hz
Rated SPL	91 ± 3 dB 2,000 Hz; AVG; 1 W; 10 cm
Distortion	≤ 15 % 1,000 Hz; 1 W



Physical Characteristics

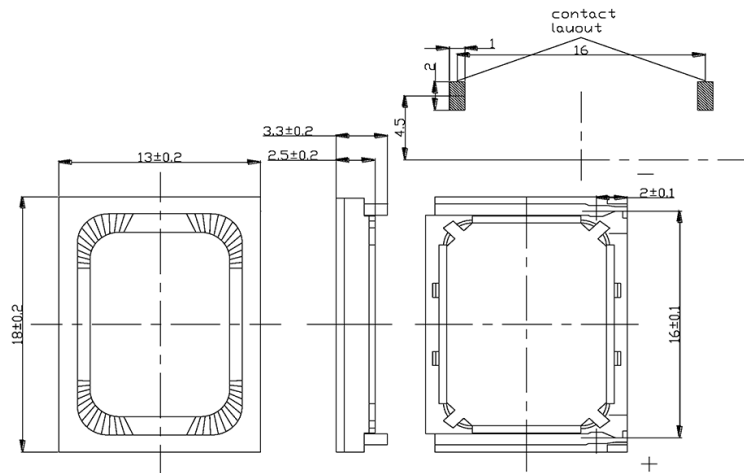
MATERIALS

Housing	PPA
Cone	PEN
Magnet	NdFeB
Spring	Stainless Steel

TEMPERATURE RANGES

Operating	-20 to +70 °C
Storage	-40 to +85 °C

Weight 1.8 g



General tolerance = ±0.2 mm and all measurements in mm unless otherwise noted.

Revision	Description	By	Date
0-2025	Original Specification	KG	2025-02-26

Warranty: For a period of one (1) year from date of shipping under normal operations conditions. This warranty does not apply to products damaged through misuse, abuse, improper installation, alteration, rework, or attempt to repair.

The information contained herein is believed to be correct, but no guarantee or warranty, express or implied, with respect to accuracy, completeness or results is extended and no liability is assumed. Challenge Electronics reserves the right to make changes in any specification, data or material contained herein.