

## CS18-01S100-05-1

Rev. 2-2024  
RoHS3 & REACH  
Surface Mount Speakers



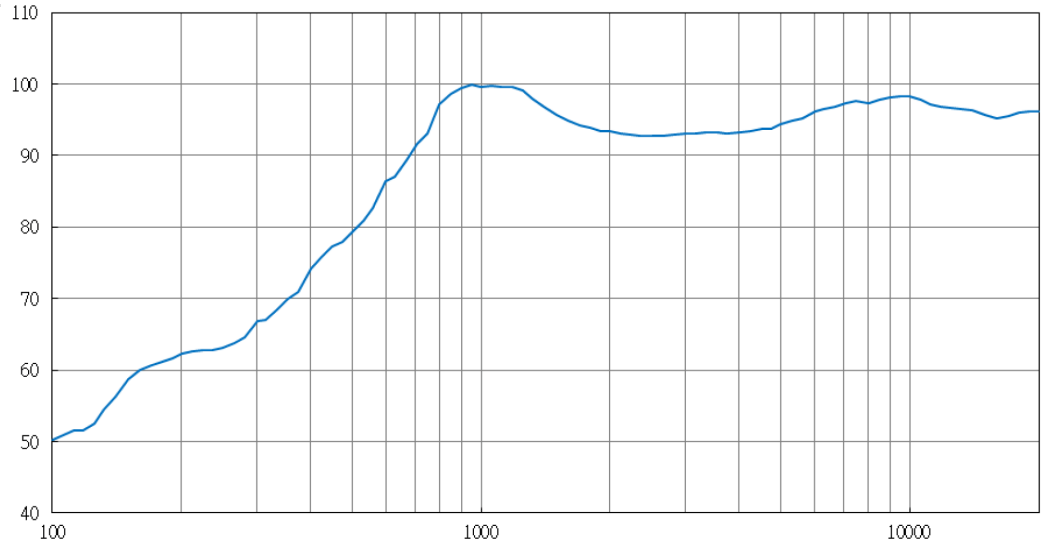
### Operating Characteristics

#### ELECTRICAL

Rated Power	1.0 W
Short Term Max Power	1.5 W
Impedance	8 Ω ± 15 % 2000 Hz; 1 W

#### ACOUSTIC: Baffle Board

$f_o$	1000 Hz ± 20 % 1 W
Freq. Range	800 to 20000 Hz
Rated SPL	97 ± 3 dB 1000, 1200, 1500, 2000 Hz; AVG; 1 W; 10 cm
Distortion	Max 5 % 2000 Hz; 1 W



### Physical Characteristics

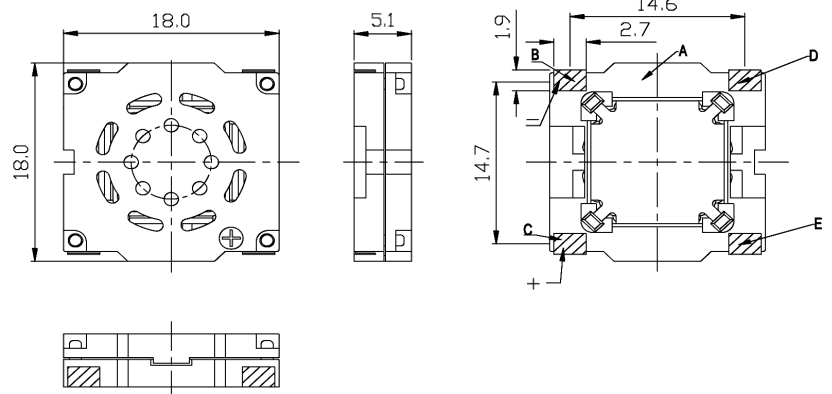
#### MATERIALS

Housing	LCP
Cone	PI
Magnet	SmCo
Solder Pads	Tin Plated Copper

#### TEMPERATURE RANGES

Operating	-40 to +85 °C
Storage	-40 to +90 °C

Weight 3 g



Coplanarity with respect to A as a standard  
, B, C, D, E tolerance is 0~+0.1mm

General tolerance = ±0.3 mm and all measurements in mm unless otherwise noted.

Revision	Description	By	Date
1-2024	Added Recommended Footprint, Reflow Profile, and Packaging.	AL	2024-01-02
2-2024	Updated resonant frequency and frequency range.	SK	2024-02-22

Warranty: For a period of one (1) year from date of shipping under normal operations conditions. This warranty does not apply to products damaged through misuse, abuse, improper installation, alteration, rework, or attempt to repair.

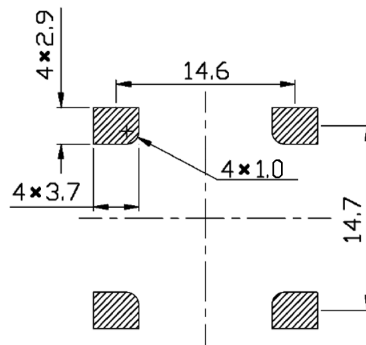
The information contained herein is believed to be correct, but no guarantee or warranty, express or implied, with respect to accuracy, completeness or results is extended and no liability is assumed. Challenge Electronics reserves the right to make changes in any specification, data or material contained herein.

## CS18-01S100-05-1

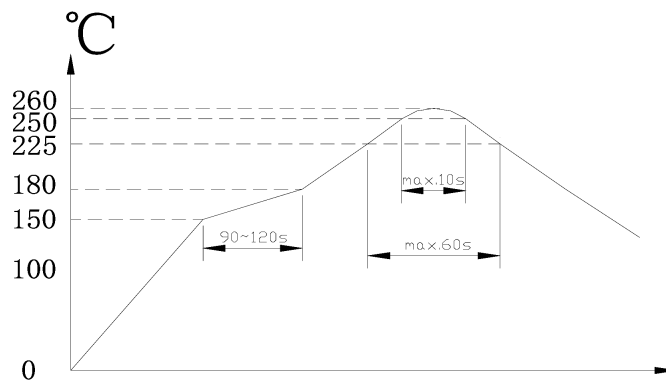
Rev. 2-2024  
RoHS3 & REACH  
Surface Mount Speakers



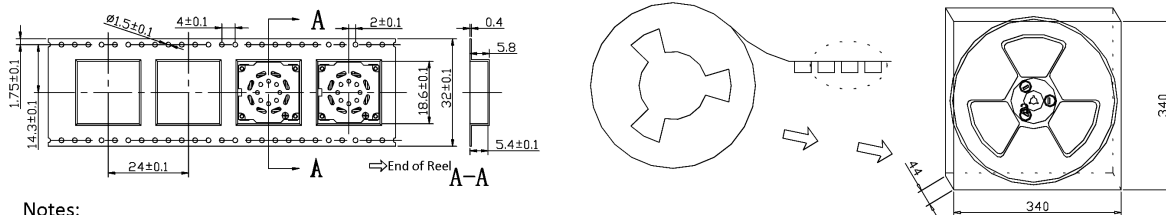
### Recommended Footprint



### Recommended Reflow Profile



### Tape & Reel Packaging



**Notes:**

1. Empty Cells: Front - 8, Back - 12
  2. 500 pcs per reel, 5 reels in box.
- Total 2500 pcs.

Revision	Description	By	Date
1-2024	Added Recommended Footprint, Reflow Profile, and Packaging.	AL	2024-01-02
2-2024	Updated resonant frequency and frequency range.	SK	2024-02-22

Warranty: For a period of one (1) year from date of shipping under normal operations conditions. This warranty does not apply to products damaged through misuse, abuse, improper installation, alteration, rework, or attempt to repair.

The information contained herein is believed to be correct, but no guarantee or warranty, express or implied, with respect to accuracy, completeness or results is extended and no liability is assumed. Challenge Electronics reserves the right to make changes in any specification, data or material contained herein.