

INDICATORS • SPEAKERS • SOUND TRANSDUCERS • ENCLOSURES • MICROPHONES • BATTERY ACCESSORIES

## CS20-00P55-04-1

Former P/N: CE-208S35C

Rev. 3-2019  
 RoHS3 & REACH  
 Round Speakers



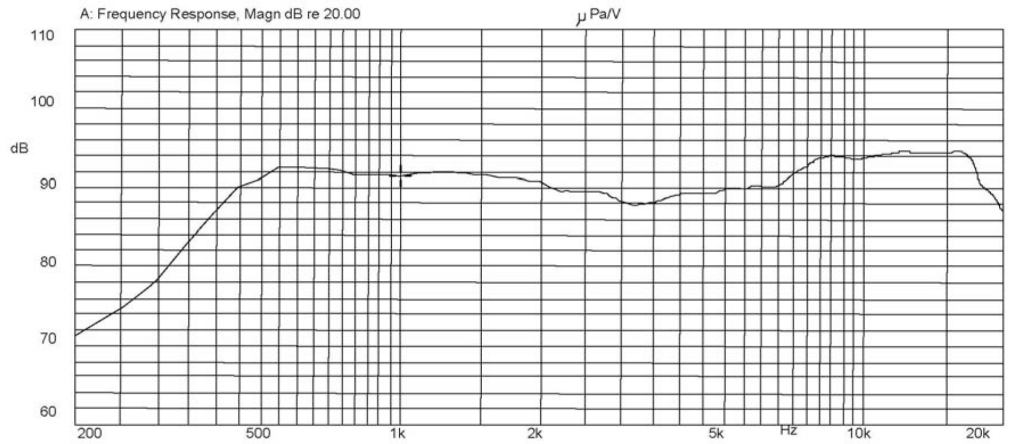
### Operating Characteristics

ELECTRICAL X:1.0000kHz Y:91.50dB ZA:Live Curve TSR fund.

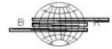
Rated Power	0.5 W
Short Term Max Power	0.8 W
Impedance	8 Ω ± 15 % 1000 Hz; 0.125 W

ACOUSTIC: 1000CC Sealed Enclosure

$f_o$	550 Hz ± 20 % 0.125 W
Freq. Range	550 to 20000 Hz
Rated SPL	91 ± 3 dB 800, 1000, 1200, 1500 Hz; 0.5 W; 10 cm;
Distortion	<5 % 1000 Hz; 0.1 W



Mode: TSR



### Physical Characteristics

MATERIALS

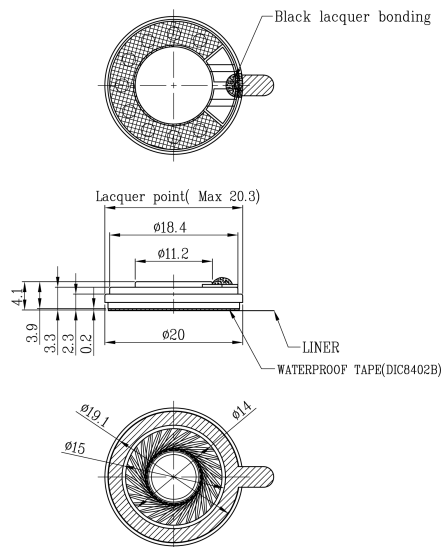
Housing	Steel
Cone	PET
Magnet	NdFeB
Solder Pad	Tin Plated Copper

TEMPERATURE RANGES

Operating	-20 to +60 °C
Storage	-20 to +70 °C

Weight 2.9 g

#### MARKING



Revision	Description	By	Date
3-2019	Migrate to new format	WS	2019-06-21

Warranty: For a period of one (1) year from date of shipping under normal operations conditions This warranty does not apply to products damaged through misuse, abuse, improper installation, alteration, rework, or attempt to repair.

The information contained herein is believed to be correct, but no guarantee or warranty, express or implied, with respect to accuracy, completeness or results is extended and no liability is assumed. Challenge Electronics reserves the right to make changes in any specification, data or material contained herein.  
 ©2019 Challenge Electronics, Inc. 20190909145144