

# CS20-01P75-04-1X

 Rev. 0-2024  
 RoHS3 & REACH  
 IPX7 Front Face  
 Round Speakers

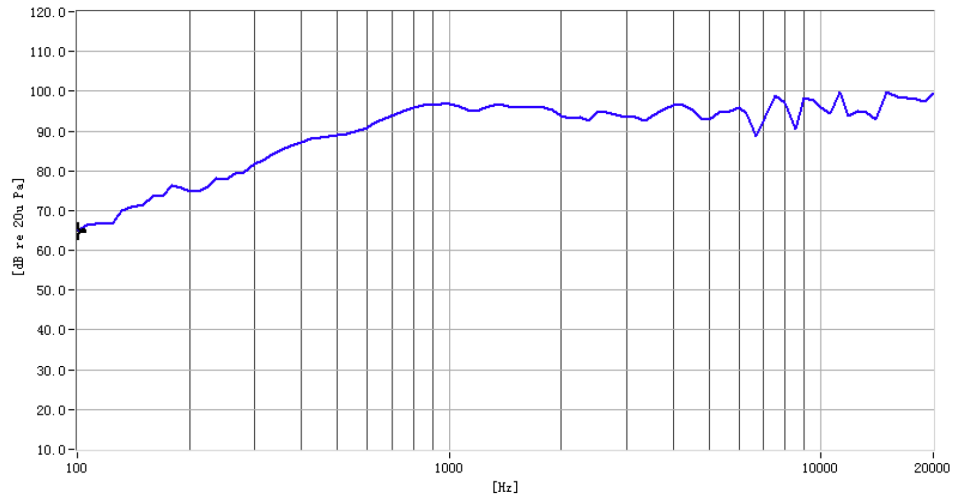

## Operating Characteristics

### ELECTRICAL

Rated Power	1 W
Short Term Max Power	1.5 W
Impedance	8 Ω ± 15 % 2000 Hz; 0.125 W

### ACOUSTIC: Baffle Board

$f_o$	750 Hz ± 20 % 1 W
Freq. Range	600 to 20000 Hz
Rated SPL	95 ± 3 dB 800, 1000, 1200, 1500 Hz; AVG; 1 W; 10 cm
Distortion	<10 % 2000 Hz; 1 W



## Physical Characteristics

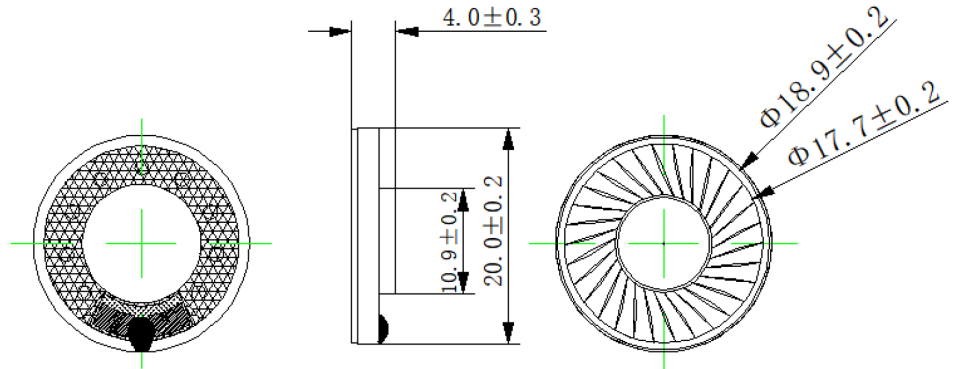
### MATERIALS

Housing	SPCC
Cone	PEN
Magnet	NdFeB
Solder Pads	Tin Plated Copper

### TEMPERATURE RANGES

Operating	-20 to +55 °C
Storage	-30 to +65 °C

Weight 2.3 g



General tolerance = ±0.2 mm and all measurements in mm unless otherwise noted.

Revision	Description	By	Date
0-2024	Original Specification	JL	2024-08-02

Warranty: For a period of one (1) year from date of shipping under normal operations conditions. This warranty does not apply to products damaged through misuse, abuse, improper installation, alteration, rework, or attempt to repair.

The information contained herein is believed to be correct, but no guarantee or warranty, express or implied, with respect to accuracy, completeness or results is extended and no liability is assumed. Challenge Electronics reserves the right to make changes in any specification, data or material contained herein.

\*IP rating can be achieved through proper assembly mounting. Please contact your local Challenge Electronics sales representative for more details.

©2024 Challenge Electronics, Inc. Pub. 20240809142418