

INDICATORS • SPEAKERS • SOUND TRANSDUCERS • ENCLOSURES • MICROPHONES • BATTERY ACCESSORIES

CS25-01W60-03-1

Former P/N: CS25W-0160-031

Rev. 2-2021
RoHS3 & REACH
Mobile Speakers



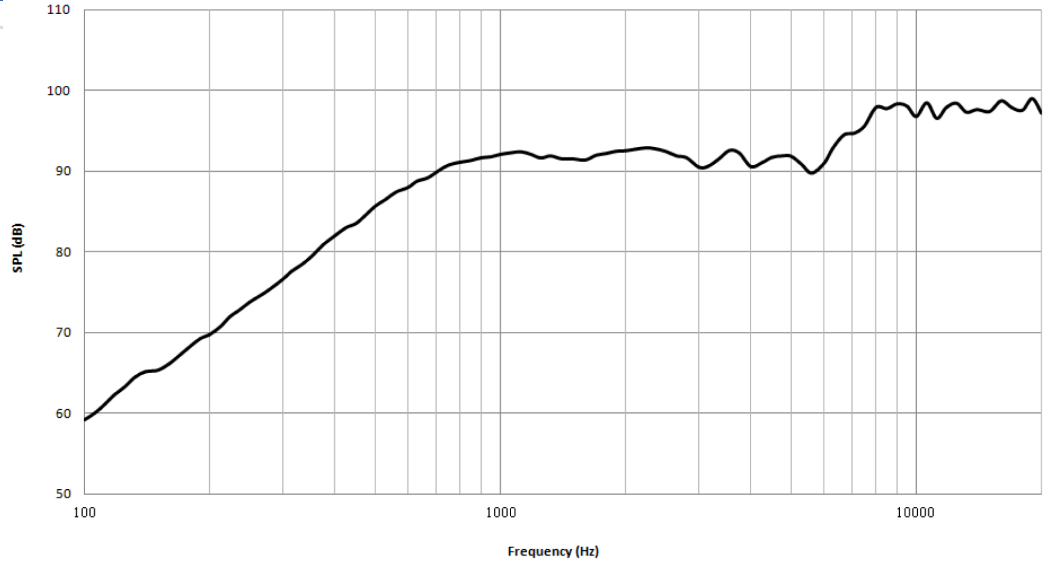
Operating Characteristics

ELECTRICAL

Rated Power	1.5 W
Short Term Max Power	2.0 W
Impedance	4 Ω ± 15 % 2,000 Hz; 0.25 W

ACOUSTIC: 2CC Sealed Enclosure

f_0	600 Hz ± 20 % 0.25 W, Free Air
Freq. Range	600 to 20000 Hz
Rated SPL	92 ± 3 dB 800, 1000, 1200, 1500 Hz; 1.5 W; 10 cm;
Distortion	<10 % 1000 Hz; 1.5 W



Physical Characteristics

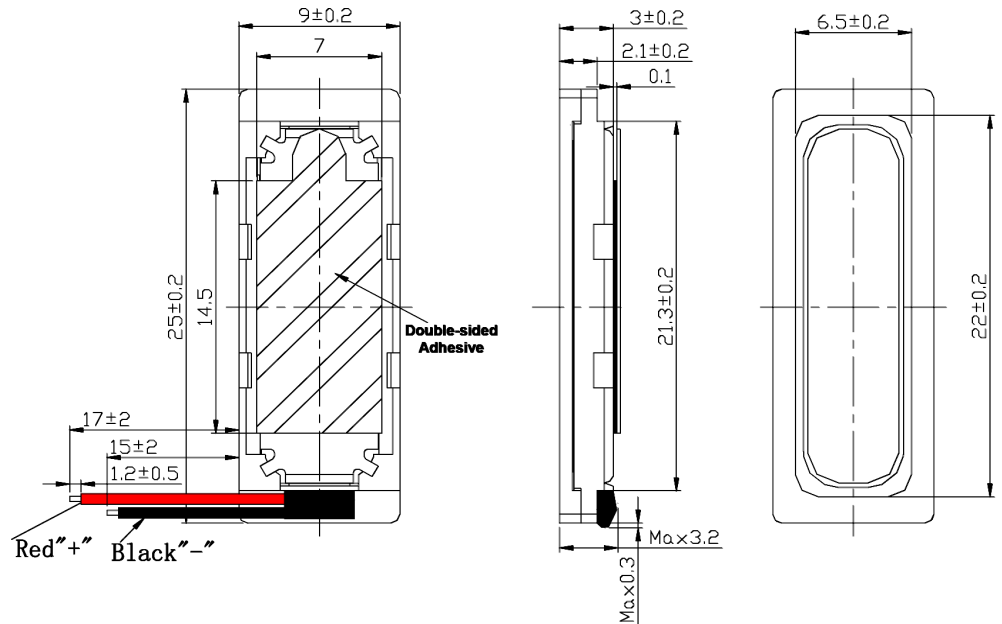
MATERIALS

Housing	Black Plastic
Cone	PEEK
Magnet	NdFeB
Wire	UL 1571, 32 AWG

TEMPERATURE RANGES

Operating	-30 to +70 °C
Storage	-40 to +85 °C

Weight 2.7 g



All Measurements are mm unless noted otherwise.

Revision	Description	By	Date
1-2019	Migrate to new format.	CF	2019-06-24
2-2021	Updated test condition from baffle board to 2CC box. Updated the resonant frequency testing condition to free air.	CT	2021-09-13

Warranty: For a period of one (1) year from date of shipping under normal operations conditions. This warranty does not apply to products damaged through misuse, abuse, improper installation, alteration, rework, or attempt to repair.

The information contained herein is believed to be correct, but no guarantee or warranty, express or implied, with respect to accuracy, completeness or results is extended and no liability is assumed. Challenge Electronics reserves the right to make changes in any specification, data or material contained herein.