

INDICATORS • SPEAKERS • SOUND TRANSDUCERS • ENCLOSURES • MICROPHONES • BATTERY ACCESSORIES

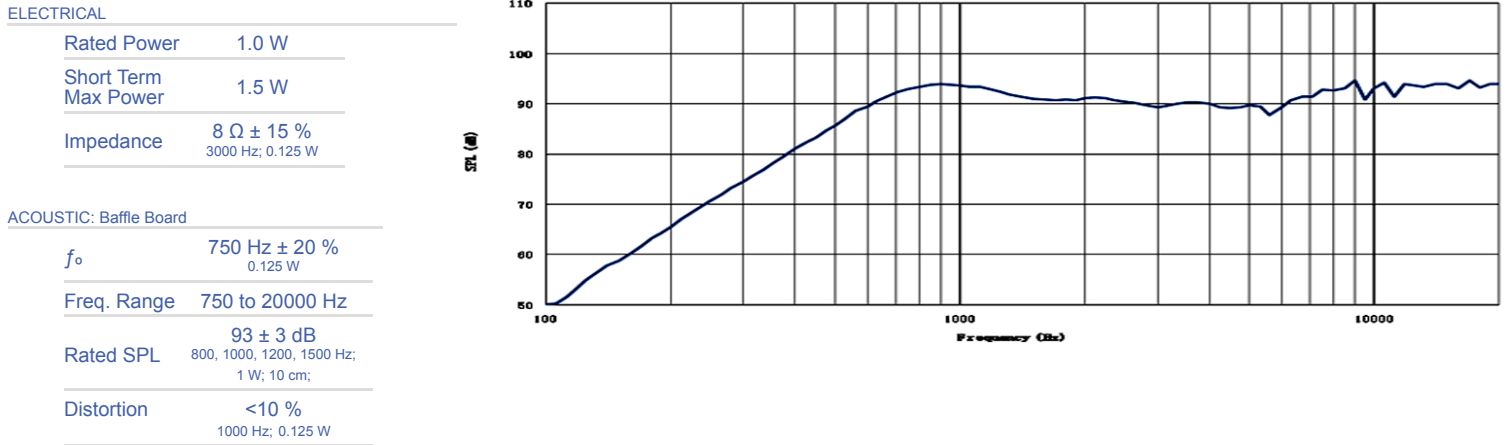
CS25-01W75-03-1

Former P/N: CES250V030BF08PMN750W20R

Rev. 3-2019
RoHS3 & REACH
Mobile Speakers



Operating Characteristics



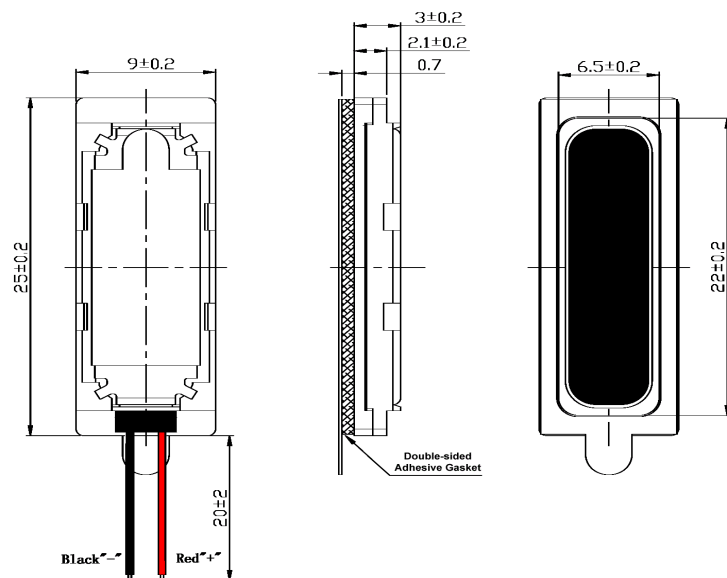
Physical Characteristics

MATERIALS	
Housing	Plastic
Cone	Mylar
Magnet	NdFeB
Wire	UL 1571, 32 AWG

TEMPERATURE RANGES	
Operating	-30 to +70 °C
Storage	-40 to +80 °C

Weight	2.7 g
--------	-------

Unless otherwise specified, tolerance: ±0.2(unit: mm)



Revision	Description	By	Date
2-2018	Updated mechanical drawing with gasket. Updated height from 3.0 mm to 3.7 mm.	JL	2018-10-26
3-2019	Migrate to new format.	CF	2019-06-24

Warranty: For a period of one (1) year from date of shipping under normal operations conditions This warranty does not apply to products damaged through misuse, abuse, improper installation, alteration, rework, or attempt to repair.