

INDICATORS • SPEAKERS • SOUND TRANSDUCERS • ENCLOSURES • MICROPHONES • BATTERY ACCESSORIES

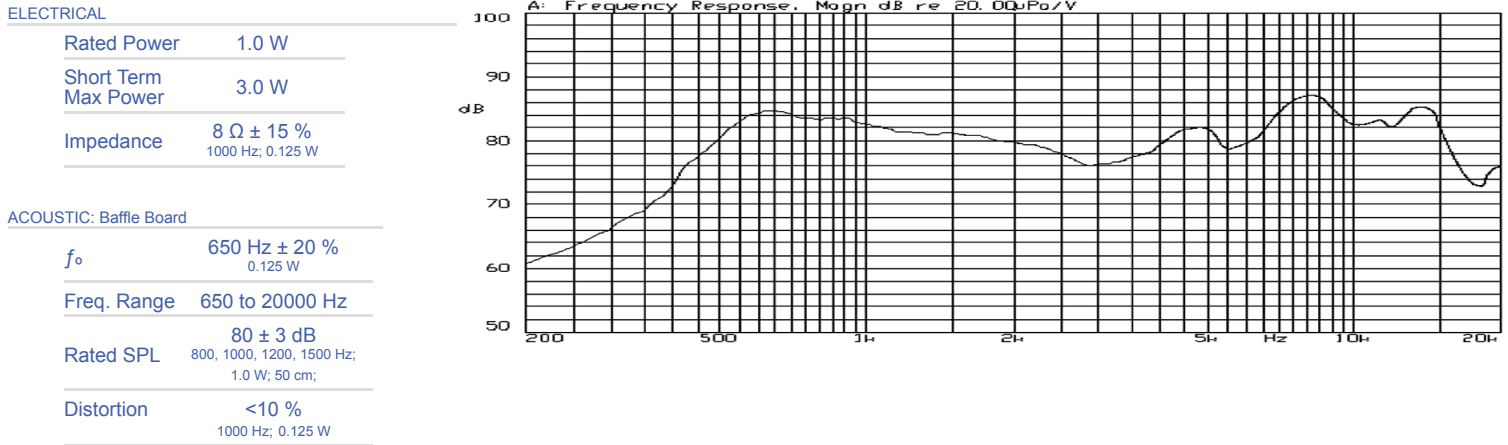
CS27-01D65-06-1

Former P/N: CES270V062DA08PCN650STR

Rev. 2-2019
RoHS3 & REACH
Oval Speakers



Operating Characteristics

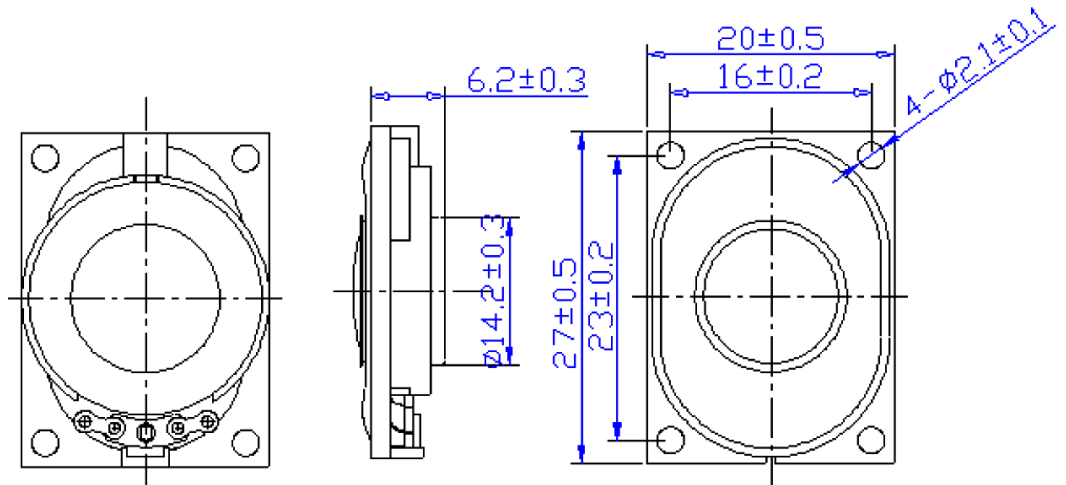


Physical Characteristics

MATERIALS	
Housing	Plastic
Cone	Cloth
Magnet	NdFeB
Solder Tab	Tin Plated Iron

TEMPERATURE RANGES	
Operating	-20 to +60 °C
Storage	-30 to +70 °C

Weight	4 g
--------	-----



Revision	Description	By	Date
1-2014	Corrected width from 14 to 20 in specification detail (drawing was not changed)	WS	2014-10-08
2-2019	Migrate to new format	JL	2019-06-21

Warranty: For a period of one (1) year from date of shipping under normal operations conditions This warranty does not apply to products damaged through misuse, abuse, improper installation, alteration, rework, or attempt to repair.