

CS28-00P50-04-1

Former P/N: CES280R044AF08SMN500UR

Rev. 1-2019
 RoHS3 & REACH
 Round Speakers



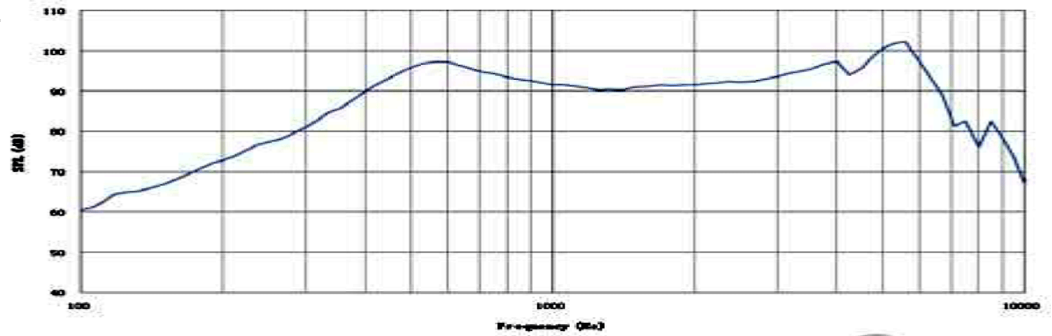
Operating Characteristics

ELECTRICAL

| | |
|----------------------|------------------------------|
| Rated Power | 0.25 W |
| Short Term Max Power | 0.6 W |
| Impedance | 8 ± 15 Ω 2000 Hz; 0.125 W |

ACOUSTIC: Baffle Board

| | |
|-------------|--|
| f_0 | 500 Hz ± 20 % 0.125 W |
| Freq. Range | 500 to 7000 Hz |
| Rated SPL | 93 ± 3 dB 600, 800, 1000, 1200 Hz; 0.1 W; 10 cm; |
| Distortion | <5 % 1000 Hz; 0.125 W |



Physical Characteristics

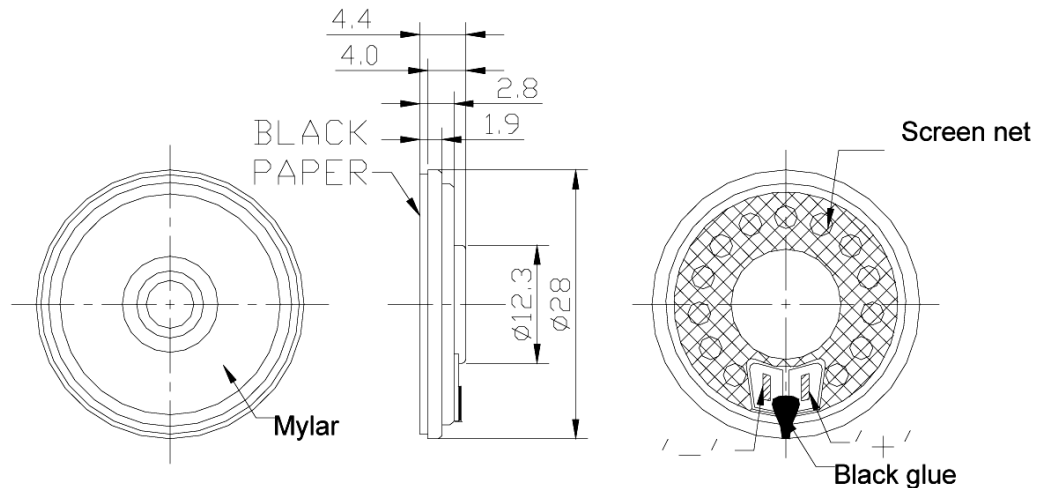
MATERIALS

| | |
|------------|-------------------|
| Housing | Steel |
| Cone | Mylar |
| Magnet | NdFeB |
| Solder Pad | Tin Plated Copper |

TEMPERATURE RANGES

| | |
|-----------|---------------|
| Operating | -20 to +60 °C |
| Storage | -30 to +70 °C |

Weight 6 g



| Revision | Description | By | Date |
|----------|-----------------------|----|------------|
| 1-2019 | Migrate to new format | WS | 2019-06-21 |

Warranty: For a period of one (1) year from date of shipping under normal operations conditions This warranty does not apply to products damaged through misuse, abuse, improper installation, alteration, rework, or attempt to repair.