

INDICATORS • SPEAKERS • SOUND TRANSDUCERS • ENCLOSURES • MICROPHONES • BATTERY ACCESSORIES

## CS28-00T50-03-1

Former P/N: CES280R035BA8SMN500PR

Rev. 4-2020  
RoHS3 & REACH  
Round Speakers



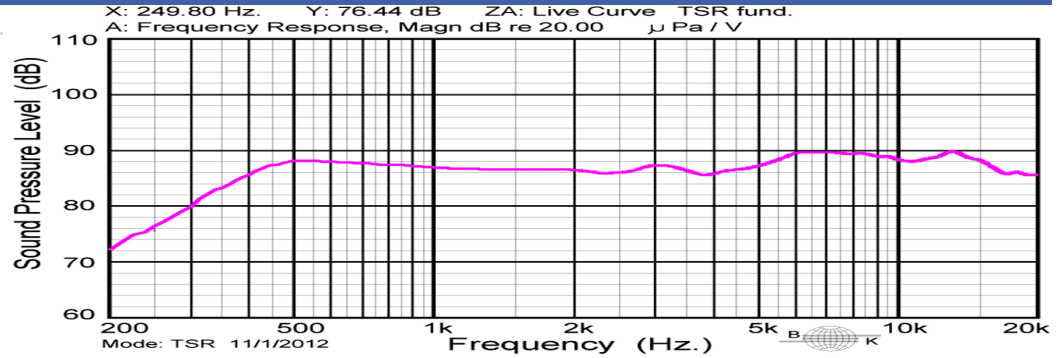
### Operating Characteristics

#### ELECTRICAL

Rated Power	0.5 W
Short Term Max Power	1.0 W
Impedance	8 Ω ± 15 % 2000 Hz; 0.125 W

#### ACOUSTIC: Baffle Board

$f_0$	500 Hz ± 20 % 0.125 W
Freq. Range	500 to 6000 Hz
Rated SPL	87 ± 3 dB 800, 1000, 1200, 1500 Hz; 0.1 W; 10 cm;
Distortion	<5 % 1000 Hz; 0.125 W



### Physical Characteristics

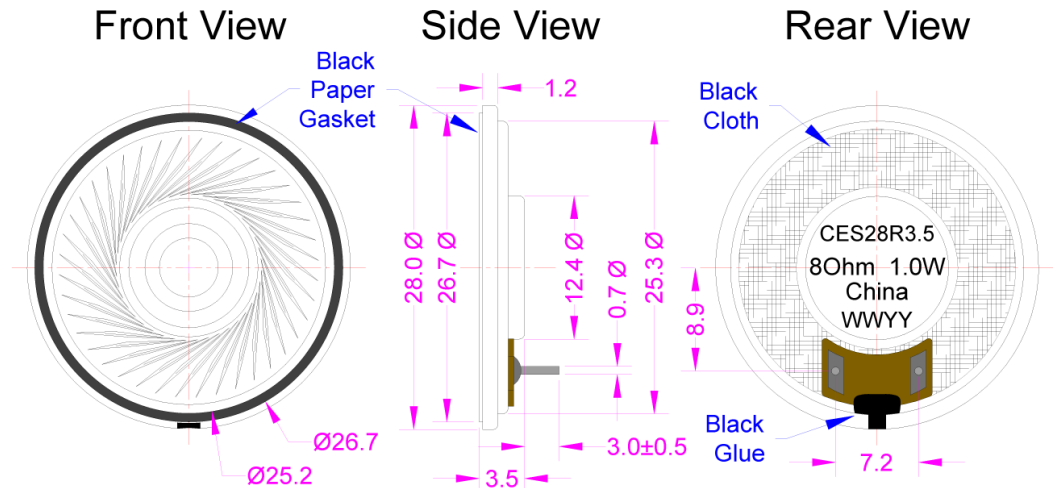
#### MATERIALS

Housing	Steel
Cone	Mylar
Magnet	NdFeB
PC Pin	Copper - Hand Solder Only

#### TEMPERATURE RANGES

Operating	-30 to +60 °C
Storage	-30 to +70 °C

Weight 4.8 g



Revision	Description	By	Date
3-2019	Migrate to new format	WS	2019-06-21
4-2020	Updated PC Pin material from Copper to Copper - Hand Solder Only		2020-04-23

Warranty: For a period of one (1) year from date of shipping under normal operations conditions This warranty does not apply to products damaged through misuse, abuse, improper installation, alteration, rework, or attempt to repair.

The information contained herein is believed to be correct, but no guarantee or warranty, express or implied, with respect to accuracy, completeness or results is extended and no liability is assumed. Challenge Electronics reserves the right to make changes in any specification, data or material contained herein.