

INDICATORS • SPEAKERS • SOUND TRANSDUCERS • ENCLOSURES • MICROPHONES • BATTERY ACCESSORIES

CS28-00W50-05-3

Former P/N: CES280R050BA08RMN500SWR152

Rev. 7-2021
RoHS3 & REACH
Round Speakers



Operating Characteristics

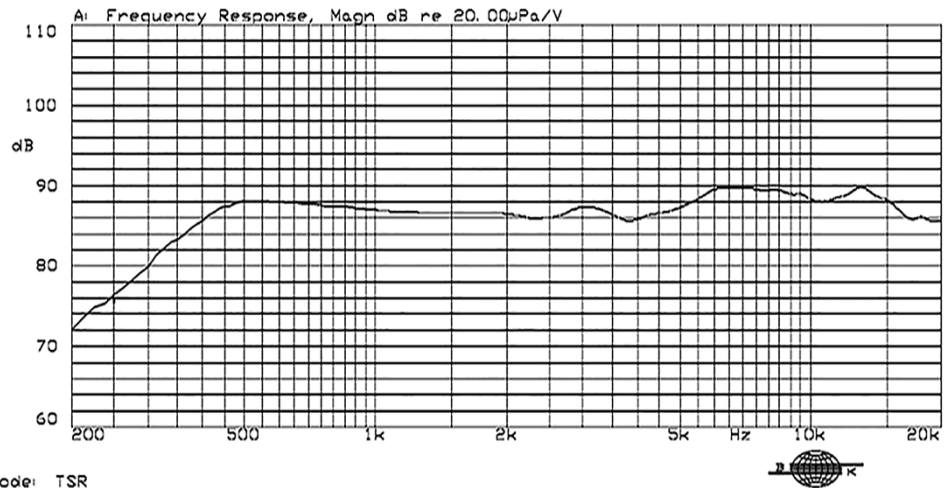
ELECTRICAL

Rated Power	0.5 W
Short Term Max Power	1.0 W
Impedance	8 Ω ± 15 % 1000 Hz; 0.125 W

ACOUSTIC: Baffle Board

f_0	500 Hz ± 20 % 0.125 W
Freq. Range	300 to 6000 Hz
Rated SPL	89 ± 3 dB 600, 800, 1000, 1200 Hz; 0.1 W; 10 cm;
Distortion	<5 % 1000 Hz; 0.5 W

Xi 249.80Hz Yi 76.44dB ZA: Live Curve TSR fund.



Physical Characteristics

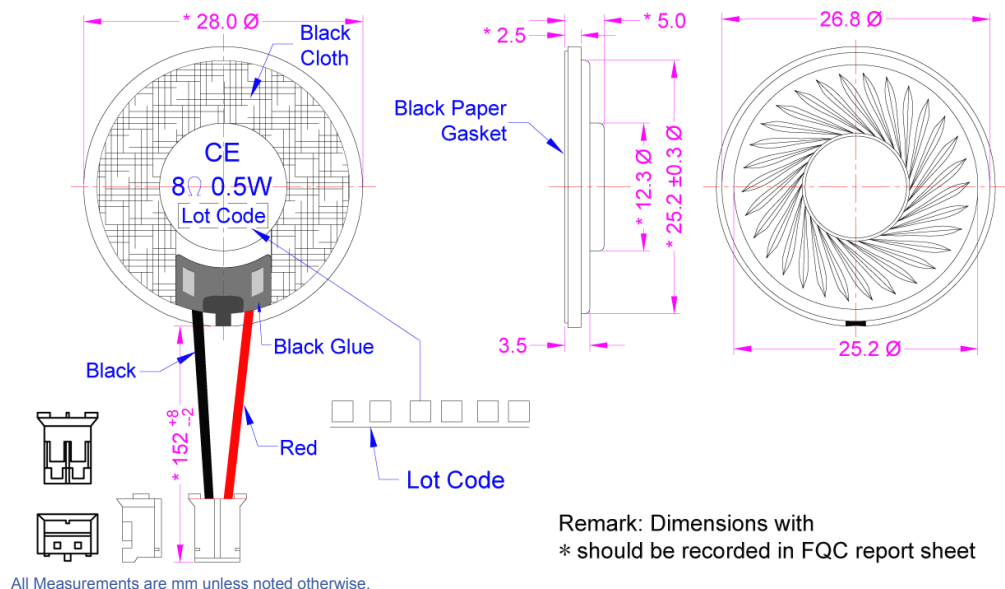
MATERIALS

Housing	Steel
Cone	Mylar
Magnet	NdFeB
Wire	UL 1061, 26 AWG
Connector	JST PHR-2

TEMPERATURE RANGES

Operating	-20 to +60 °C
Storage	-30 to +70 °C

Weight 6.4 g



Revision	Description	By	Date
6-2019	Migrate to new format.	CF	2019-06-24
7-2021	Updated frequency range to 300 to 6,000 Hz	CT	2021-04-20

Warranty: For a period of one (1) year from date of shipping under normal operations conditions. This warranty does not apply to products damaged through misuse, abuse, improper installation, alteration, rework, or attempt to repair.

The information contained herein is believed to be correct, but no guarantee or warranty, express or implied, with respect to accuracy, completeness or results is extended and no liability is assumed. Challenge Electronics reserves the right to make changes in any specification, data or material contained herein.
©2021 Challenge Electronics, Inc. Pub. 20210421155242