

CS28-00W50-06-4X

 Rev. 2-2021
 RoHS3 & REACH
 IP67 Front Face
 Round Speakers

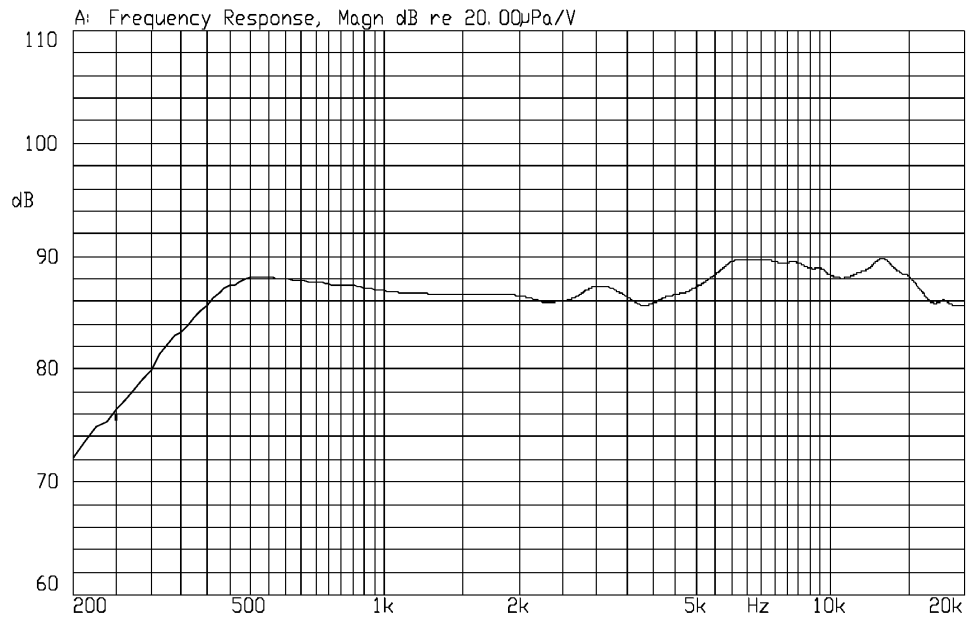

Operating Characteristics

ELECTRICAL

Rated Power	0.5 W
Short Term Max Power	1.0 W
Impedance	8 Ω ± 15 % 2000 Hz; 0.125 W

ACOUSTIC: Baffle Board

f_0	500 Hz ± 20 % 0.125 W
Freq. Range	300 to 6000 Hz
Rated SPL	89 ± 3 dB 600, 800, 1000, 1200 Hz; 0.1 W; 10 cm;
Distortion	Max 5 % 1000 Hz; 0.5 W



Physical Characteristics

MATERIALS

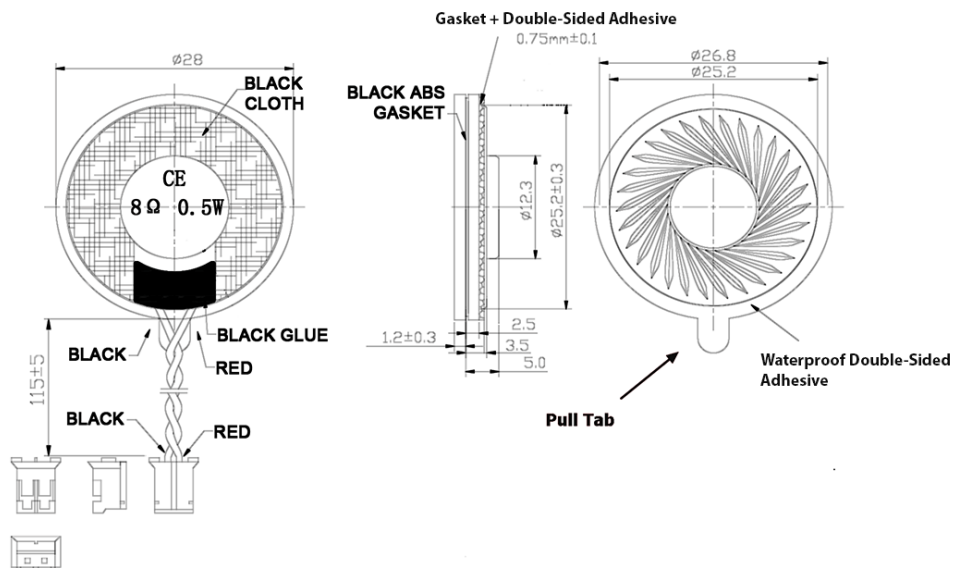
Housing	SPCC
Cone	Clear PET
Magnet	NdFeB
Wires	UL1061, 26 AWG
Connector	JST PHR-2
Terminal	JST SPH-002T-P0.5L

TEMPERATURE RANGES

Operating	-20 to +60 °C
Storage	-30 to +70 °C

Weight 6.4 g

Unless otherwise specified, tolerance: ±0.5(unit: mm)



All Measurements are mm unless noted otherwise.

Revision	Description	By	Date
1-2020	Added Poron and Double-sided Waterproof Adhesive Foam callout to mechanical drawing.	JL	2020-10-26
2-2021	Replaced poron gasket with gasket + double sided adhesive.	CT	2021-04-13

Warranty: For a period of one (1) year from date of shipping under normal operations conditions. This warranty does not apply to products damaged through misuse, abuse, improper installation, alteration, rework, or attempt to repair.

The information contained herein is believed to be correct, but no guarantee or warranty, express or implied, with respect to accuracy, completeness or results is extended and no liability is assumed. Challenge Electronics reserves the right to make changes in any specification, data or material contained herein.
 ©2021 Challenge Electronics, Inc. Pub. 20210413161342