

CS28-00W50-06-4X

Rev. 4-2023
RoHS3 & REACH
IP67 Front Face
Round Speakers



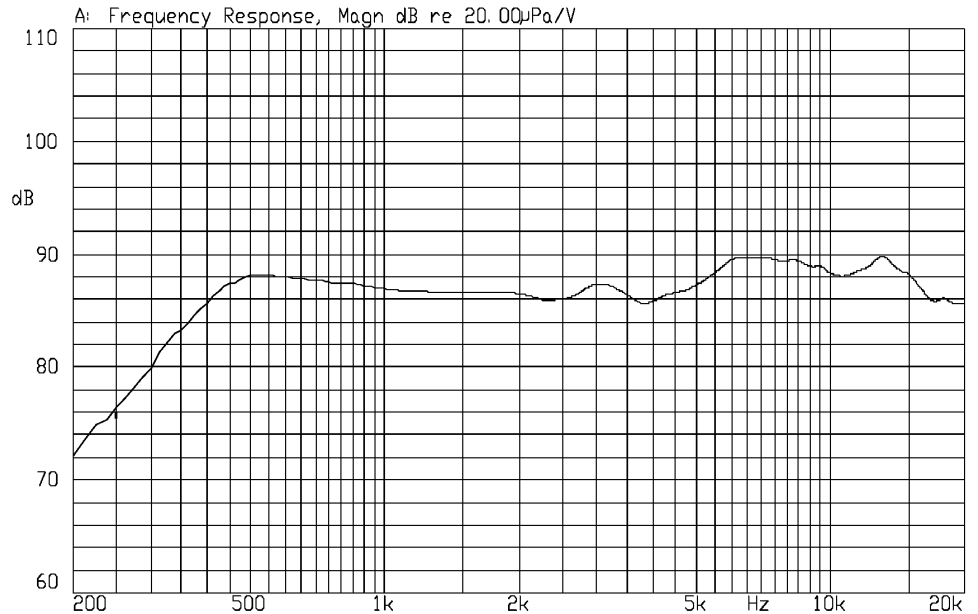
Operating Characteristics

ELECTRICAL

Rated Power	0.5 W
Short Term Max Power	1.0 W
Impedance	8 Ω ± 15 % 2000 Hz; 0.125 W

ACOUSTIC: Baffle Board

f_o	500 Hz ± 20 % 0.125 W
Freq. Range	300 to 6000 Hz
Rated SPL	89 ± 3 dB 600, 800, 1000, 1200 Hz; AVG; 0.1 W; 10 cm;
Distortion	Max 5 % 1000 Hz; 0.5 W



Physical Characteristics

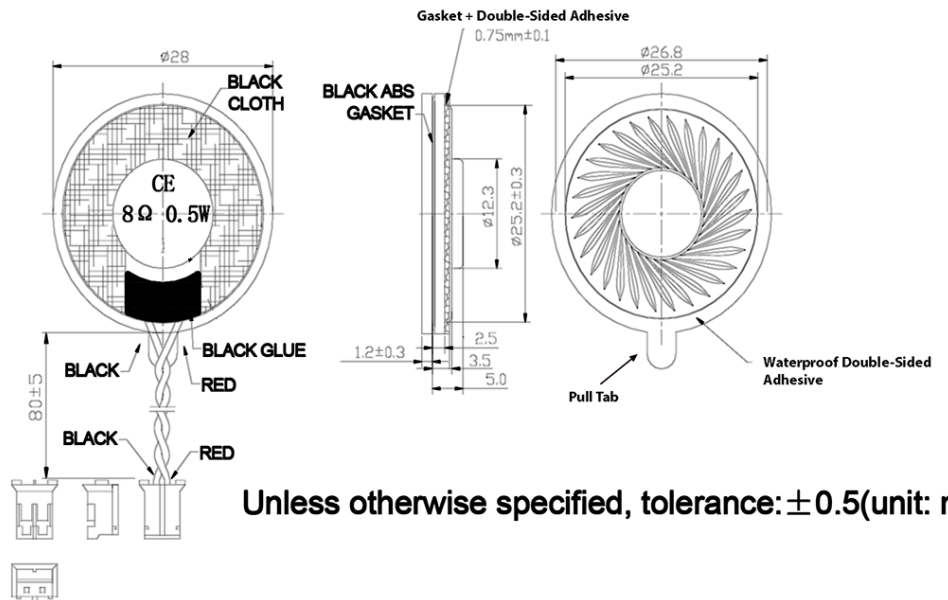
MATERIALS

Housing	SPCC
Cone	Clear PET
Magnet	NdFeB
Wires	UL1061, 26 AWG
Connector	JST PHR-2
Terminal	JST SPH-002T-P0.5L

TEMPERATURE RANGES

Operating	-20 to +60 °C
Storage	-30 to +70 °C

Weight 6.4 g



Unless otherwise specified, tolerance: ± 0.5 (unit: mm)

All measurements in mm unless otherwise noted.

Revision	Description	By	Date
3-2021	Updated wire length from 115mm to 80mm.	CT	2021-06-04
4-2023	Added part image.	SK	2023-05-10

Warranty: For a period of one (1) year from date of shipping under normal operations conditions. This warranty does not apply to products damaged through misuse, abuse, improper installation, alteration, rework, or attempt to repair.

The information contained herein is believed to be correct, but no guarantee or warranty, express or implied, with respect to accuracy, completeness or results is extended and no liability is assumed. Challenge Electronics reserves the right to make changes in any specification, data or material contained herein.