

CS28-01W75-06-1X

Rev. 0-2020
RoHS3 & REACH & IP67
Round Speakers



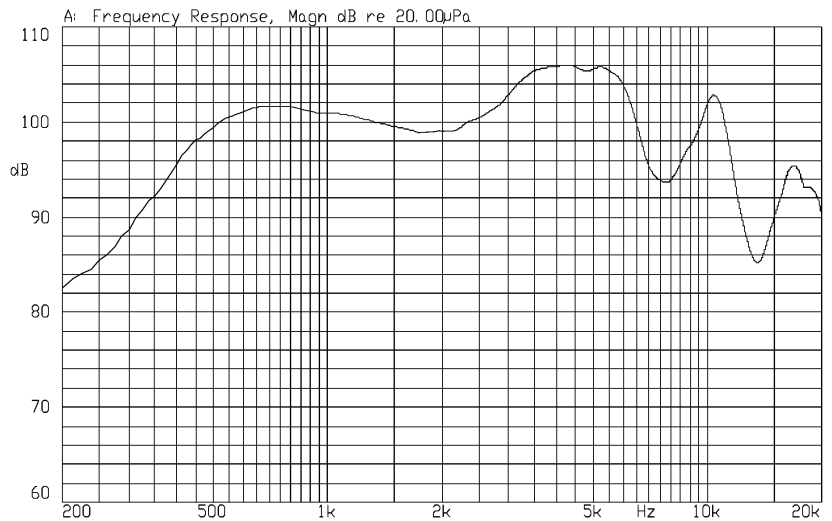
Operating Characteristics

ELECTRICAL

Rated Power	1.5 W
Short Term Max Power	2 W
Impedance	8 Ω ± 15 % 2000 Hz; 0.125 W

ACOUSTIC: Baffle Board

f_0	750 Hz ± 20 % 0.125 W
Freq. Range	750 to 7000 Hz
Rated SPL	101 ± 3 dB 800, 1000, 1200, 1500 Hz; 1 W; 10 cm;
Distortion	Max 5 % 1000 Hz; 1 W



Mode: TSR



Physical Characteristics

MATERIALS

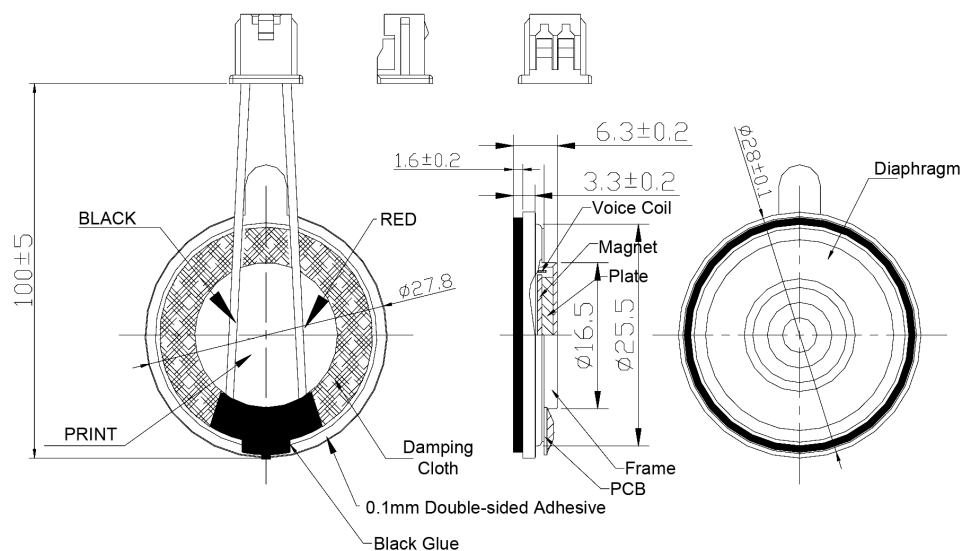
Housing	Sealed Back SPCC
Cone	PEI
Magnet	NdFeB
Wires	UL1571, 28 AWG, Ø0.9 mm
Connector	Molex 51021-0200

TEMPERATURE RANGES

Operating	-40 to +85 °C
Storage	-40 to +85 °C

Weight 14.5 g

Unless otherwise specified, tolerance: ±0.5(unit:mm)



Revision	Description	By	Date
0-2020	Initial Specification Sheet	JL	2020-04-07

Warranty: For a period of one (1) year from date of shipping under normal operations conditions This warranty does not apply to products damaged through misuse, abuse, improper installation, alteration, rework, or attempt to repair.