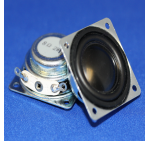


INDICATORS • SPEAKERS • SOUND TRANSDUCERS • ENCLOSURES • MICROPHONES • BATTERY ACCESSORIES

CS28-02D36-11-1

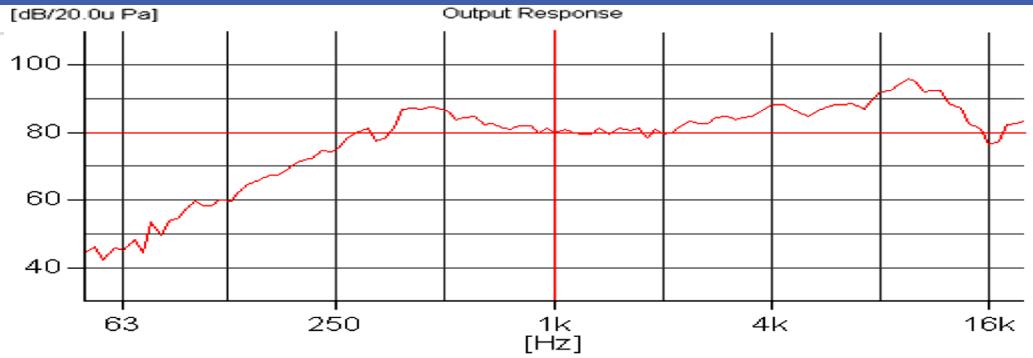
Former P/N: CES280S115CB8SPN360T

Rev. 1-2019
 RoHS3 & REACH
 Square Speakers



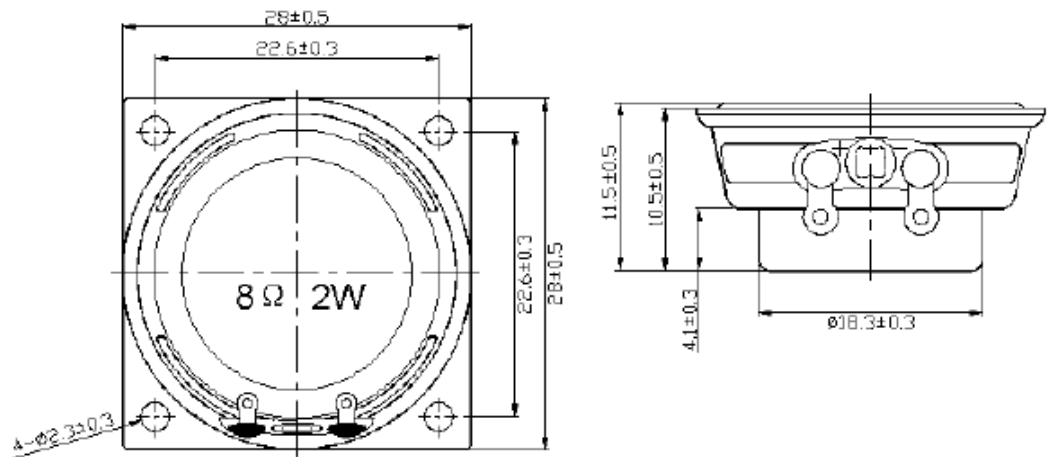
Operating Characteristics

ELECTRICAL	
Rated Power	2.0 W
Short Term Max Power	3.0 W
Impedance	8 Ω ± 15 % 1000 Hz; 0.125 W
ACOUSTIC: Baffle Board	
f_0	360 Hz ± 20 % 0.125 W
Freq. Range	360 to 20000 Hz
Rated SPL	80 ± 3 dB 600, 800, 1000, 1200 Hz; 1.0 W; 50 cm;
Distortion	<5 % 1000 Hz; 2 W



Physical Characteristics

MATERIALS	
Housing	Steel
Cone	PU + Paper
Magnet	NdFeB
Solder Tab	Tin Plated Copper
TEMPERATURE RANGES	
Operating	-20 to +55 °C
Storage	-30 to +70 °C
Weight	14.4 g



Revision	Description	By	Date
1-2019	Migrate to new format	JL	2019-06-21

Warranty: For a period of one (1) year from date of shipping under normal operations conditions This warranty does not apply to products damaged through misuse, abuse, improper installation, alteration, rework, or attempt to repair.

The information contained herein is believed to be correct, but no guarantee or warranty, express or implied, with respect to accuracy, completeness or results is extended and no liability is assumed. Challenge Electronics reserves the right to make changes in any specification, data or material contained herein.
 ©2019 Challenge Electronics, Inc. 20190826155002