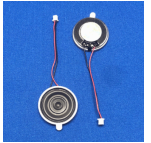


## CS28-02W190-05-1X

Rev. 3-2023  
RoHS3 & REACH  
IP67  
Round Speakers



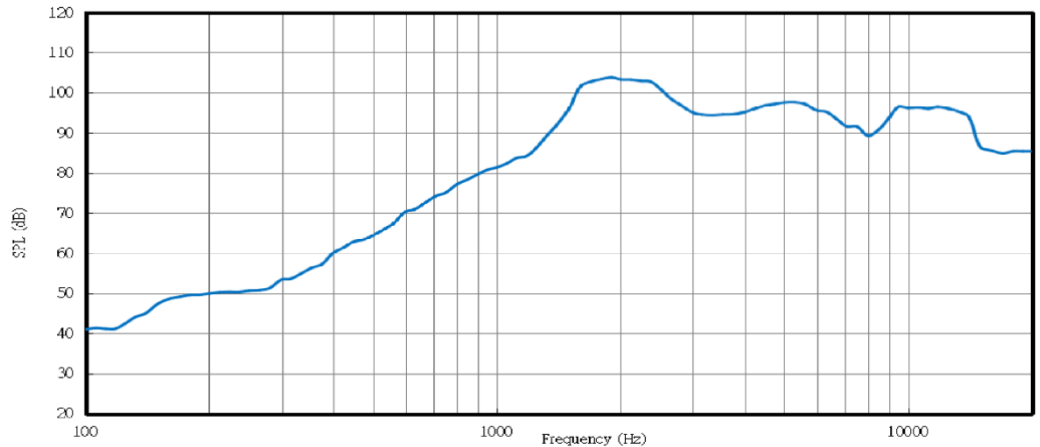
### Operating Characteristics

#### ELECTRICAL

|                      |                                |
|----------------------|--------------------------------|
| Rated Power          | 2 W                            |
| Short Term Max Power | 2.5 W                          |
| Impedance            | 8 Ω ± 15 %<br>2000 Hz; 0.125 W |

#### ACOUSTIC: Baffle Board

|             |   |
|-------------|---|
| $f_o$       | 1900 Hz ± 20 %<br>0.125 W                               |
| Freq. Range | 1900 to 7000 Hz   |
| Rated SPL   | 103 ± 3 dB<br>1600, 2000, 2360 Hz;<br>AVG; 0.5 W; 10 cm |
| Distortion  | Max 15 %<br>3000 Hz; 0.5 W                              |



### Physical Characteristics

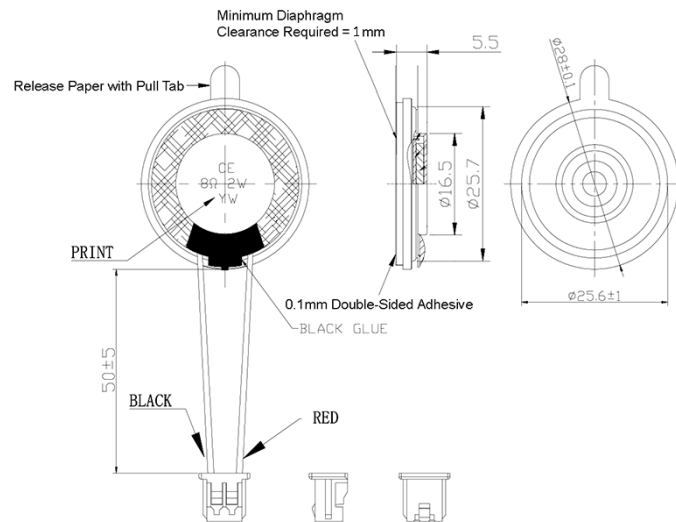
#### MATERIALS

|           |                     |
|-----------|---------------------|
| Housing   | Sealed Back<br>SPCC |
| Cone      | PEI                 |
| Magnet    | NdFeB               |
| Wire      | UL1571, 30 AWG      |
| Connector | Molex<br>51021-0200 |

#### TEMPERATURE RANGES

|           |               |
|-----------|---------------|
| Operating | -40 to +85 °C |
| Storage   | -40 to +85 °C |

Weight 14.5 g



General tolerance = ±0.5 mm and all measurements in mm unless otherwise noted.

| Revision | Description   | By | Date       |
|----------|---|----|------------|
| 2-2022   | Updated the interior diameter tolerance.                  | CT | 2022-12-22 |
| 3-2023   | Updated the minimum diaphragm clearance from 0.6 to 1 mm. | SK | 2023-09-26 |

Warranty: For a period of one (1) year from date of shipping under normal operations conditions. This warranty does not apply to products damaged through misuse, abuse, improper installation, alteration, rework, or attempt to repair.

The information contained herein is believed to be correct, but no guarantee or warranty, express or implied, with respect to accuracy, completeness or results is extended and no liability is assumed. Challenge Electronics reserves the right to make changes in any specification, data or material contained herein.