

CS28-02W220-05-1X

 Rev. 3-2021
 RoHS3 & REACH
 IP67
 Round Speakers

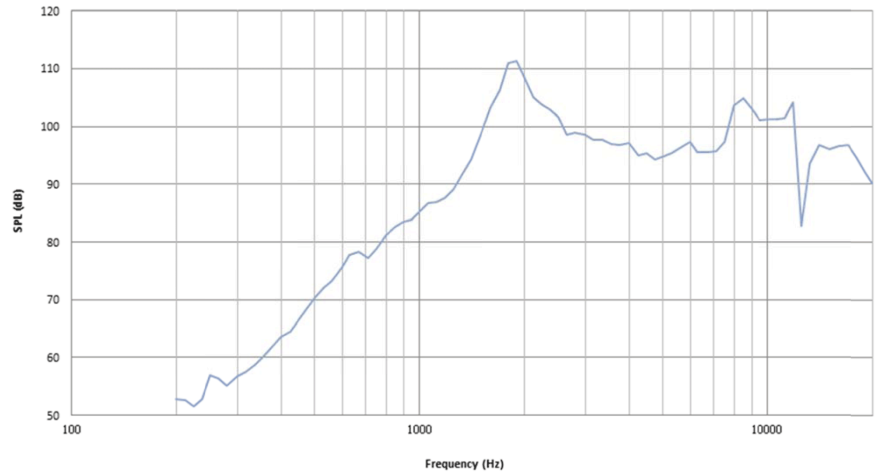

Operating Characteristics

ELECTRICAL

Rated Power	2 W
Short Term Max Power	2.5 W
Impedance	8 Ω ± 15 % 2000 Hz; 0.125 W

ACOUSTIC: Baffle Board

f_o	2200 Hz ± 20 % 0.125 W
Freq. Range	2200 to 10000 Hz
Rated SPL	103 ± 3 dB 2000, 3000, 4000 Hz; 0.5 W; 10 cm;
Distortion	Max 15 % 3000 Hz; 0.5 W



Physical Characteristics

MATERIALS

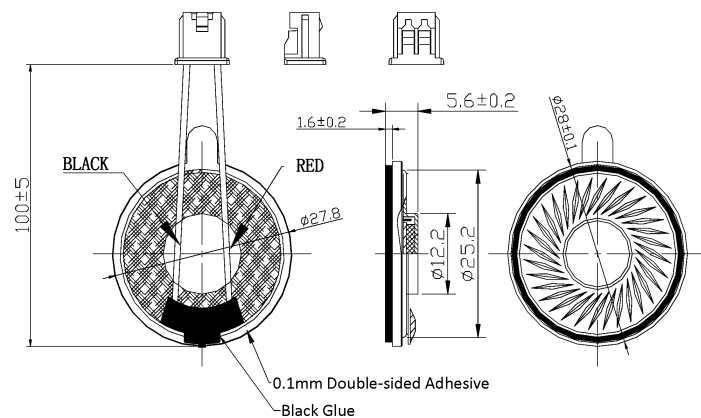
Housing	Sealed Back SPCC
Cone	PEI
Magnet	NdFeB
Wires	UL1571, 28 AWG, 0.9mm Diameter
Connector	Molex 51021-0200

TEMPERATURE RANGES

Operating	-40 to +85 °C
Storage	-40 to +85 °C

Weight 14.5 g

Unless otherwise specified, tolerance: ±0.5(unit:mm)



All Measurements are mm unless noted otherwise.

Revision	Description	By	Date
2-2020	Cleanup mechanical dwg (cosmetic)	WS	2020-09-02
3-2021	Updated from IP67 Front Face to IP67	JL	2021-04-26

Warranty: For a period of one (1) year from date of shipping under normal operations conditions. This warranty does not apply to products damaged through misuse, abuse, improper installation, alteration, rework, or attempt to repair.

 The information contained herein is believed to be correct, but no guarantee or warranty, express or implied, with respect to accuracy, completeness or results is extended and no liability is assumed. Challenge Electronics reserves the right to make changes in any specification, data or material contained herein.
 ©2021 Challenge Electronics, Inc. Pub. 20210426154651