

# CS28-02W220-05-1X

 Rev. 8-2024  
 RoHS3 & REACH  
 IP67  
 Round Speakers

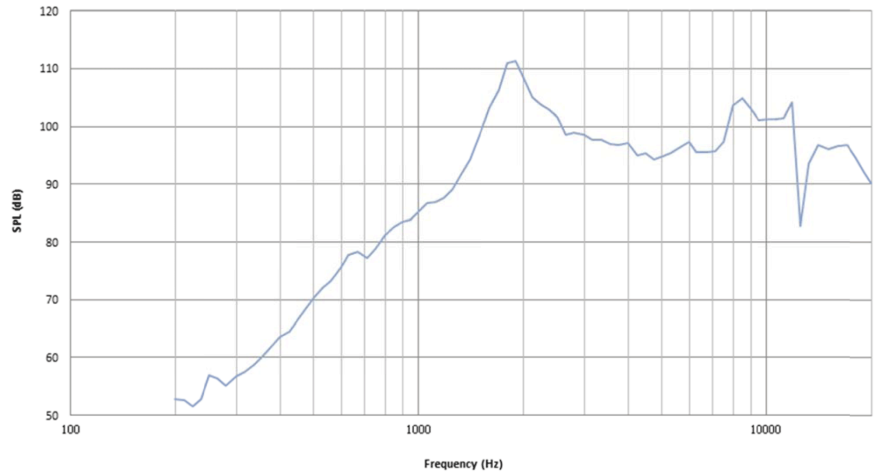

## Operating Characteristics

### ELECTRICAL

Rated Power	0.5 W
Short Term Max Power	1 W
Impedance	8 Ω ± 15 % 2000 Hz; 0.125 W

### ACOUSTIC: Baffle Board

$f_0$	2200 Hz ± 20 % 0.125 W
Freq. Range	1760 to 10000 Hz
Rated SPL	103 ± 3 dB 2000, 3000, 4000 Hz; AVG; 0.5 W; 10 cm
Distortion	Max 15 % 3000 Hz; 0.5 W



## Physical Characteristics

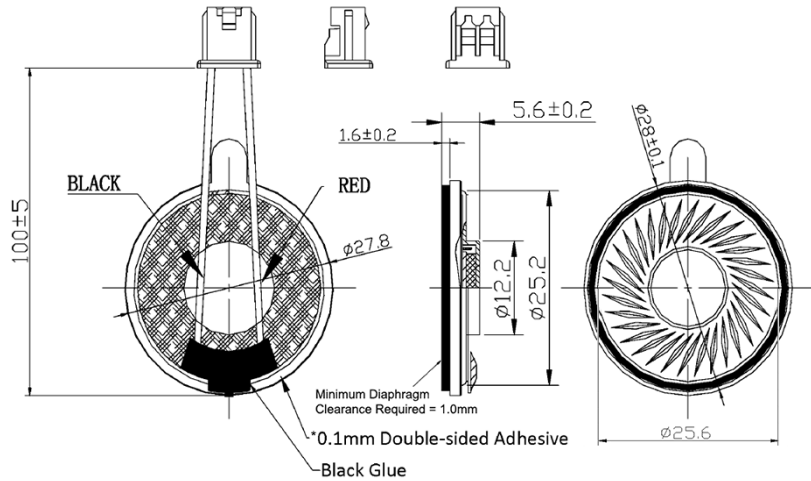
### MATERIALS

Housing	Sealed Back SPCC
Cone	PEI
Magnet	NdFeB
Wire	UL1571, 28 AWG
Connector	Molex 51021-0200

### TEMPERATURE RANGES

Operating	-40 to +85 °C
Storage	-40 to +85 °C

Weight 14.5 g



General tolerance = ±0.5 mm and all measurements in mm unless otherwise noted.

Revision	Description	By	Date
7-2023	Added warranty text about lifting.	AL	2023-02-07
8-2024	Updated frequency range.	SK	2024-02-22

Warranty: For a period of one (1) year from date of shipping under normal operations conditions. This warranty does not apply to products damaged through misuse, abuse, improper installation, alteration, rework, or attempt to repair.

The information contained herein is believed to be correct, but no guarantee or warranty, express or implied, with respect to accuracy, completeness or results is extended and no liability is assumed. Challenge Electronics reserves the right to make changes in any specification, data or material contained herein.