

INDICATORS • SPEAKERS • SOUND TRANSDUCERS • ENCLOSURES • MICROPHONES • BATTERY ACCESSORIES

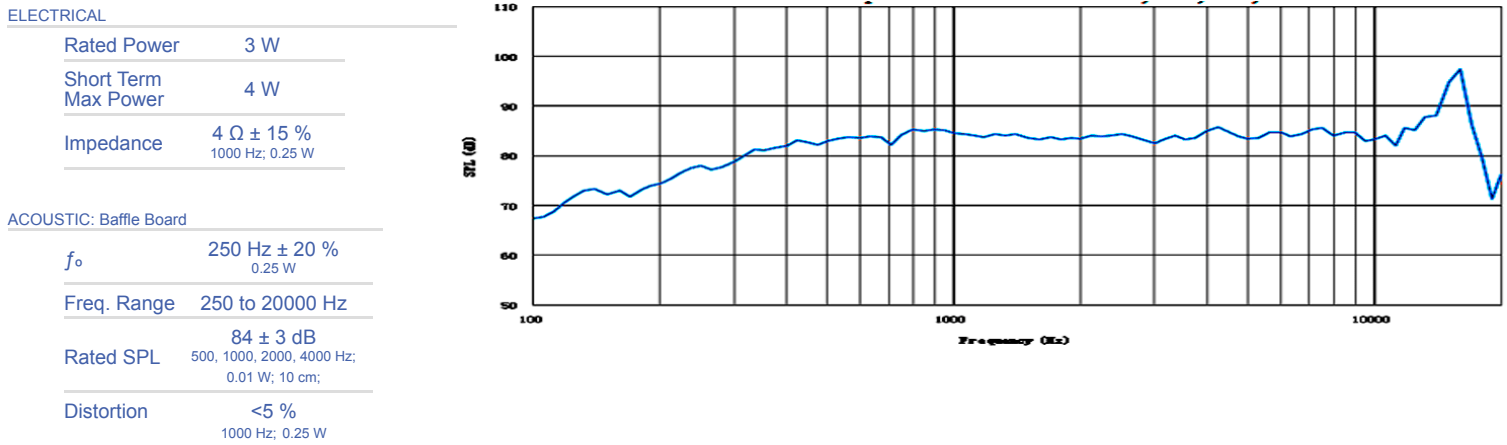
CS28-03D25-11-1

Former P/N: CES280R110EA04PLN250TR

Rev. 1-2019
RoHS3 & REACH
Round Speakers



Operating Characteristics

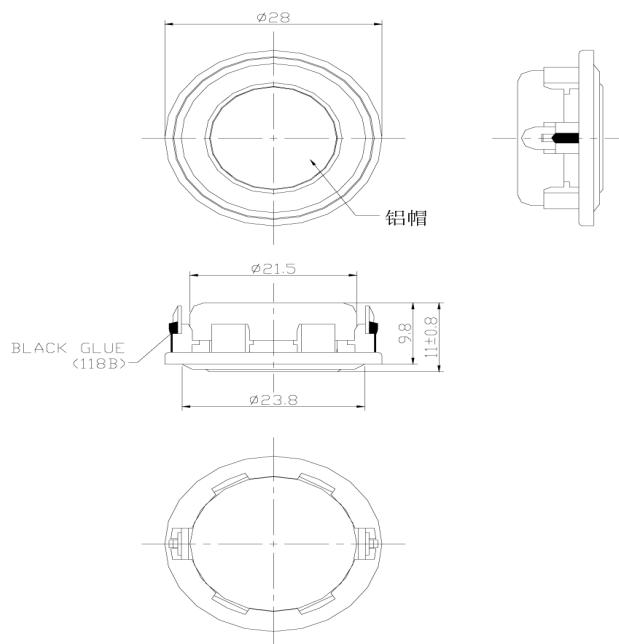


Physical Characteristics

MATERIALS	
Housing	Plastic
Cone	Aluminum with Foam Edge
Magnet	NdFeB
Solder Tab	Copper

TEMPERATURE RANGES	
Operating	-20 to +60 °C
Storage	-25 to +70 °C

Weight	17 g
--------	------



Revision	Description	By	Date
1-2019	Migrate to new format	WS	2019-06-21

Warranty: For a period of one (1) year from date of shipping under normal operations conditions This warranty does not apply to products damaged through misuse, abuse, improper installation, alteration, rework, or attempt to repair.