

CS29-03D25-11-1

Rev. 0-2020
RoHS3 & REACH
Round Speakers



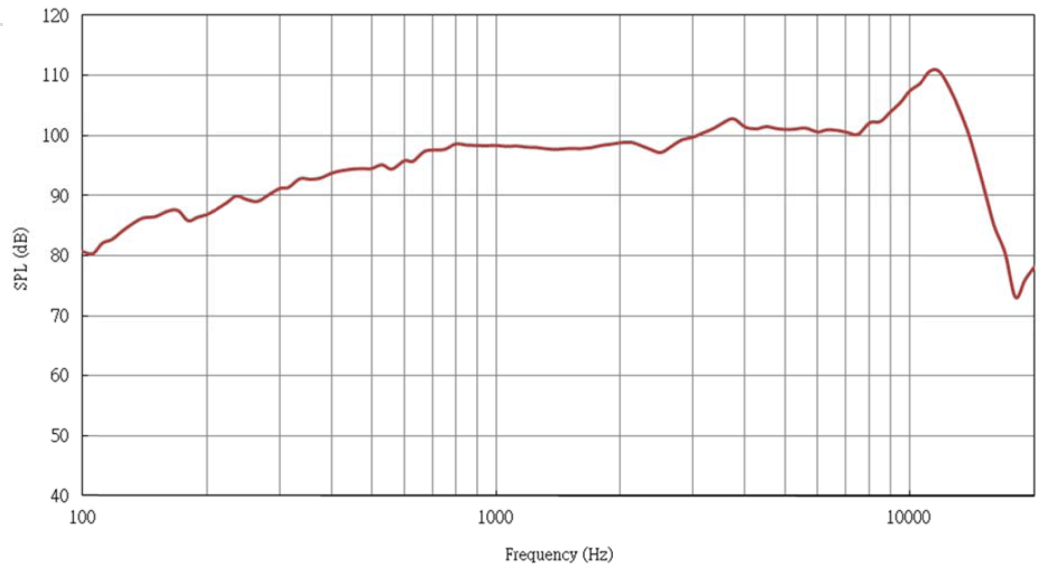
Operating Characteristics

ELECTRICAL

Rated Power	3 W
Short Term Max Power	4 W
Impedance	4 Ω ± 10 % 1000 Hz; 0.25 W

ACOUSTIC: Baffle Board

f_o	250 Hz ± 20 % 0.25 W
Freq. Range	250 to 15000 Hz
Rated SPL	98 ± 3 dB 500, 1000, 2000, 4000 Hz; 1 W; 10 cm;
Distortion	10 % 1000 Hz; 0.1 W



Physical Characteristics

MATERIALS

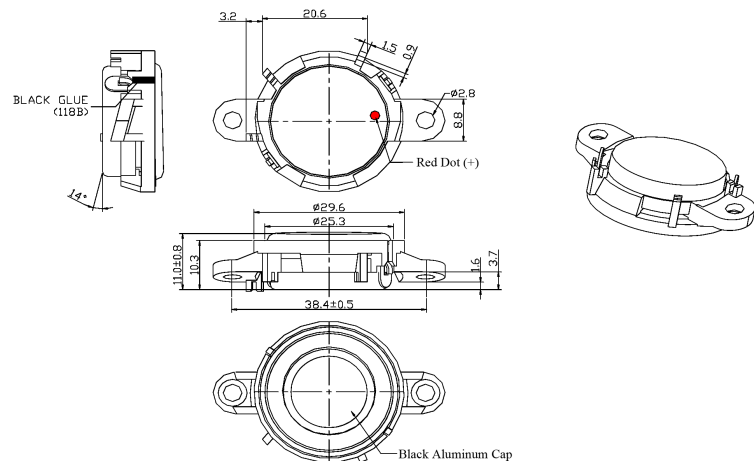
Housing	PBT
Cone	Black Aluminum
Magnet	NdFeB
Solder Tabs	Copper

TEMPERATURE RANGES

Operating	-20 to +60 °C
Storage	-25 to +70 °C

Weight 20 g

Unless otherwise specified, tolerance:±0.3(unit: mm)



All Measurements are mm, unless noted otherwise

Revision	Description	By	Date
0-2020	Original Specification	JL	2020-07-20

Warranty: For a period of one (1) year from date of shipping under normal operations conditions This warranty does not apply to products damaged through misuse, abuse, improper installation, alteration, rework, or attempt to repair.

The information contained herein is believed to be correct, but no guarantee or warranty, express or implied, with respect to accuracy, completeness or results is extended and no liability is assumed. Challenge Electronics reserves the right to make changes in any specification, data or material contained herein.
©2020 Challenge Electronics, Inc. Pub. 20200729111711