

# CS30-05D18-18-1

 Rev. 0-2025  
 RoHS3 & REACH  
 Exciter Speakers

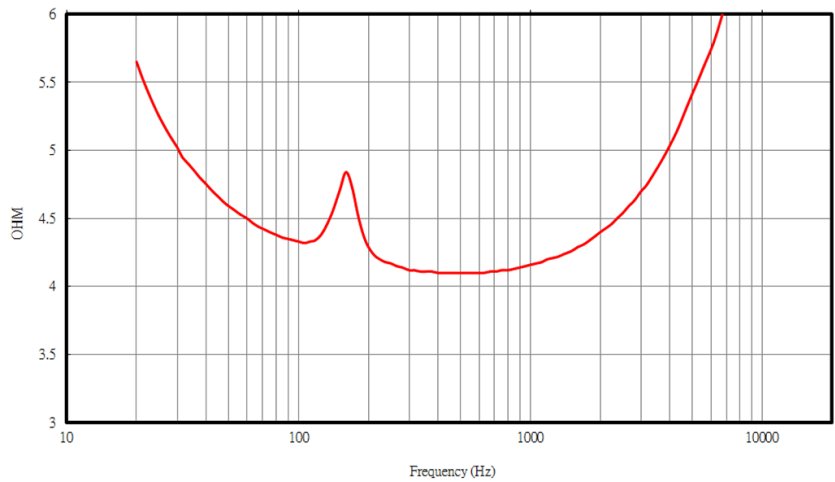

## Operating Characteristics

### ELECTRICAL

Rated Power	5 W
Short Term Max Power	10 W
Impedance	4 Ω ± 20 % 1,000 Hz; 1 W

### ACOUSTIC:

$f_o$	180 Hz ± 20 % 1 W
Freq. Range	144 to 20,000 Hz



## Physical Characteristics

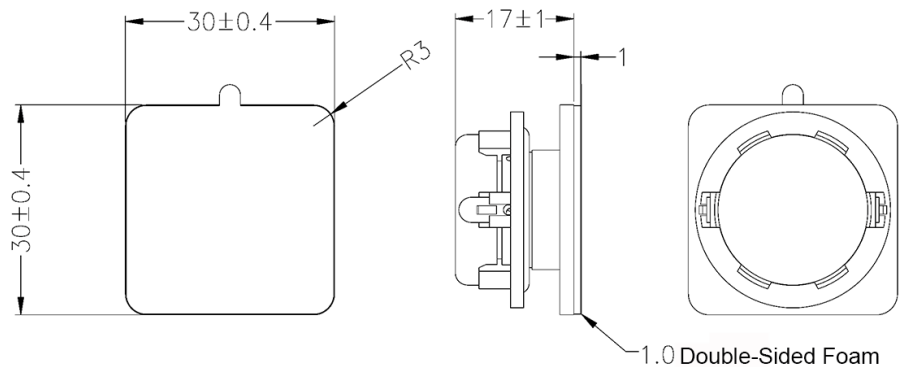
### MATERIALS

Housing	SPCC
Cone	Foam
Magnet	NdFeB
Solder Tab	Sn Plated Fe

### TEMPERATURE RANGES

Operating	-40 to +105 °C
Storage	-40 to +105 °C

Weight 50 g



General tolerance = ±0.5 mm and all measurements in mm unless otherwise noted.

Revision	Description	By	Date
0-2025	Original Specification	KG	2025-02-12

Warranty: For a period of one (1) year from date of shipping under normal operations conditions. This warranty does not apply to products damaged through misuse, abuse, improper installation, alteration, rework, or attempt to repair.

The information contained herein is believed to be correct, but no guarantee or warranty, express or implied, with respect to accuracy, completeness or results is extended and no liability is assumed. Challenge Electronics reserves the right to make changes in any specification, data or material contained herein.