

INDICATORS • SPEAKERS • SOUND TRANSDUCERS • ENCLOSURES • MICROPHONES • BATTERY ACCESSORIES

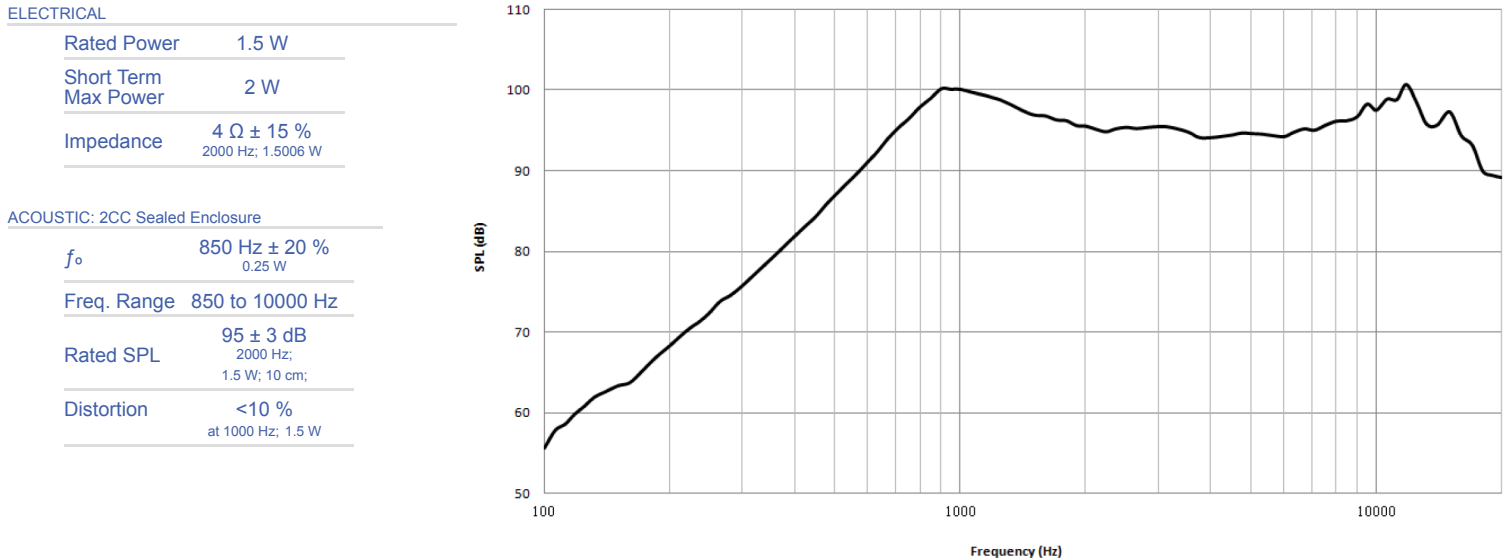
CS30-01W85-03-1

Former P/N: CS30W-0185-031

Rev. 1-2019
RoHS3 & REACH
Mobile Speakers



Operating Characteristics

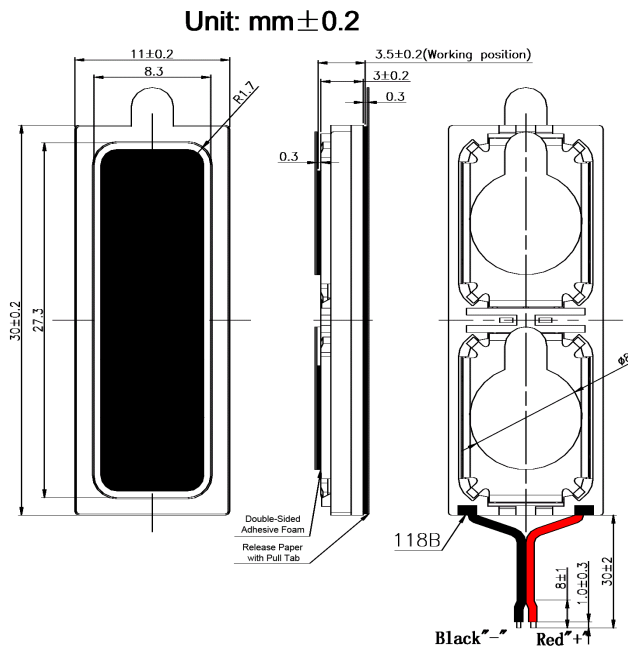


Physical Characteristics

MATERIALS	
Housing	PPA Plastic
Cone	PEEK
Magnet	NdFeB
Wire	UL 1571, 32 AWG

TEMPERATURE RANGES	
Operating	-20 to +70 °C
Storage	-40 to +85 °C

Weight	3.1 g
--------	-------



Revision	Description	By	Date
0-2018	Initial Specification Sheet	JL	2018-09-12
1-2019	Migrate to new format.	CF	2019-06-24

Warranty: For a period of one (1) year from date of shipping under normal operations conditions This warranty does not apply to products damaged through misuse, abuse, improper installation, alteration, rework, or attempt to repair.