

INDICATORS • SPEAKERS • SOUND TRANSDUCERS • ENCLOSURES • MICROPHONES • BATTERY ACCESSORIES

## CS31-01D55-15-1X

Former P/N: CS31D-0155-151

 Rev. 2-2021  
 RoHS3 & REACH  
 IP67 Front Face  
 Round Speakers

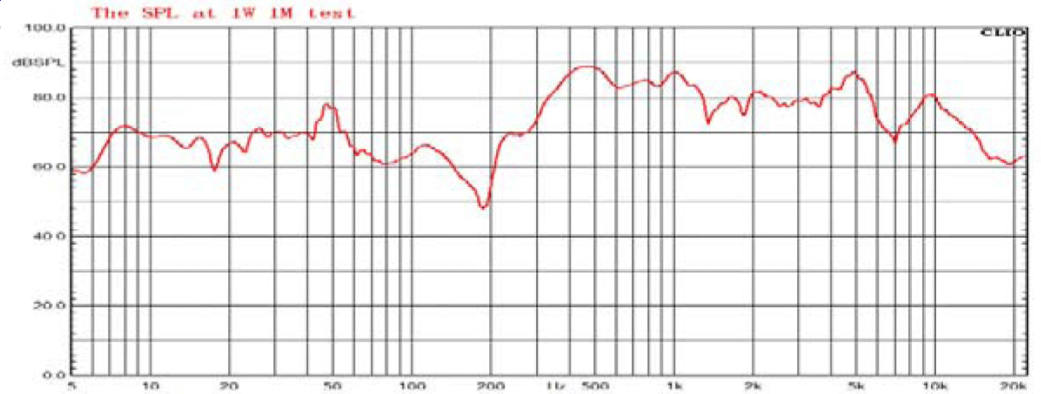

### Operating Characteristics

#### ELECTRICAL

Rated Power	1.0 W
Short Term Max Power	2.0 W
Impedance	8 Ω ± 15 % 1000 Hz; 0.125 W

#### ACOUSTIC: Baffle Board

$f_o$	550 Hz ± 20 % 1 W
Freq. Range	550 to 20000 Hz
Rated SPL	85 ± 3 dB 800, 1000, 1200, 1500 Hz; 1 W; 100 cm;
Distortion	<5 % 1000 Hz; 1.0 W



### Physical Characteristics

#### MATERIALS

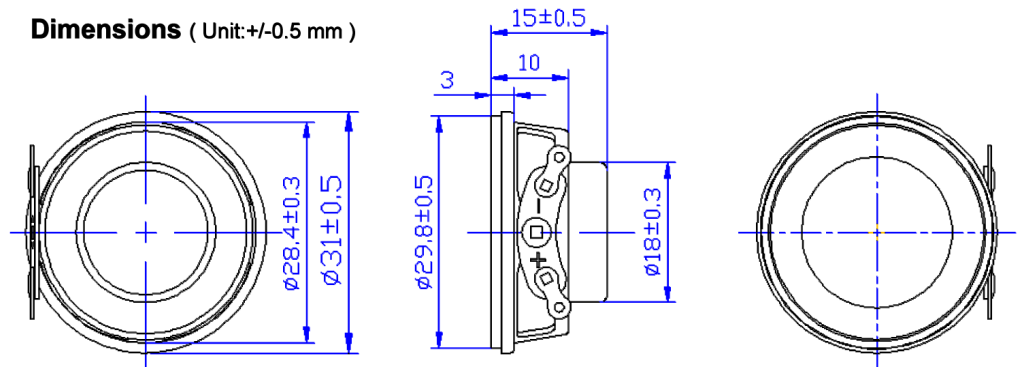
Housing	Steel, Zn Plated
Cone	Paper Cone with PU Edge and Aluminum Titanium Dust Cover
Magnet	NdFeB
Solder Tab	Tin Plated Brass

#### TEMPERATURE RANGES

Operating	-40 to +85 °C
Storage	-40 to +85 °C

Weight 12.6 g

#### Dimensions (Unit: +/-0.5 mm)



All Measurements are mm unless noted otherwise.

Revision	Description	By	Date
1-2019	Migrate to new format.	CF	2019-06-24
2-2021	Added 1000 Hz impedance testing condition. Added aluminum titanium dust cover to diaphragm material call out. Updated IP67 to IP67 Front Face.	JL	2021-01-26

Warranty: For a period of one (1) year from date of shipping under normal operations conditions This warranty does not apply to products damaged through misuse, abuse, improper installation, alteration, rework, or attempt to repair.