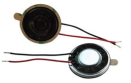


# CS32-00W60-05-1

 Rev. 1-2019  
 RoHS3 & REACH  
 Round Speakers


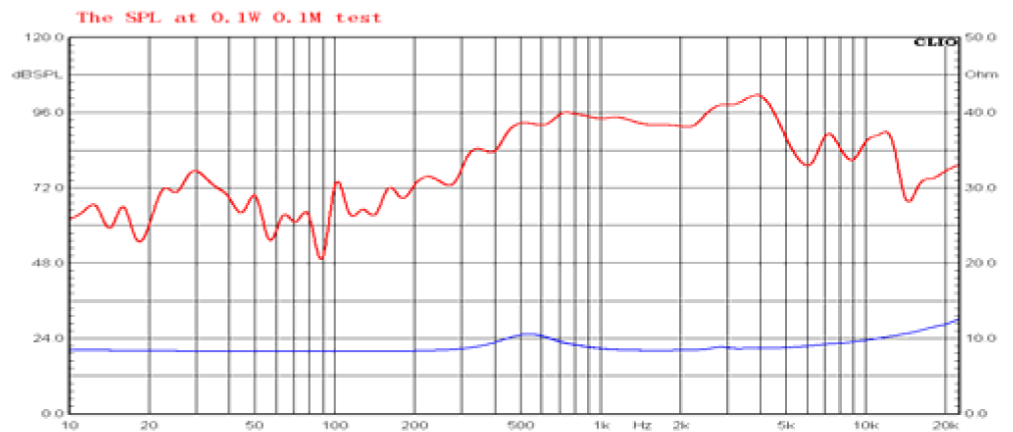
## Operating Characteristics

### ELECTRICAL

Rated Power	0.5 W
Short Term Max Power	1.0 W
Impedance	8 Ω ± 15 % 1500 Hz; 0.5 W

### ACOUSTIC: Baffle Board

$f_0$	600 Hz ± 20 % 0.5 W
Freq. Range	600 to 5000 Hz
Rated SPL	87 ± 3 dB 800, 1000, 1200, 1500 Hz; 0.1 W; 10 cm;
Distortion	<5 % 1000 Hz; 0.5 W



## Physical Characteristics

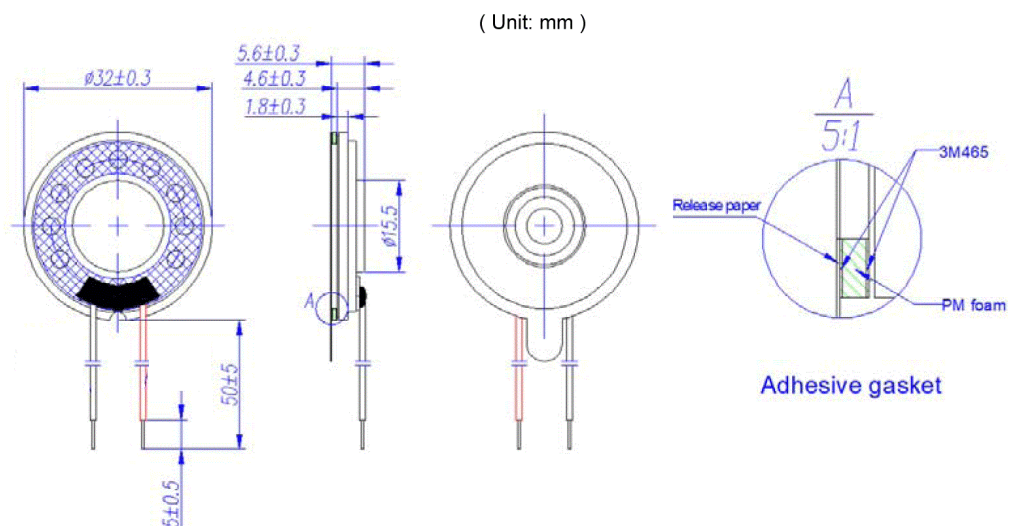
### MATERIALS

Housing	Metal, Zn Plated
Cone	Black Mylar
Magnet	NdFeB
Wire	UL 1571, 24 AWG

### TEMPERATURE RANGES

Operating	-20 to +60 °C
Storage	-30 to +70 °C

Weight 8.7 g



Revision	Description	By	Date
0-2019	Initial Specification Sheet	JL	2019-06-14
1-2019	Migrate to new format.	CF	2019-06-24

Warranty: For a period of one (1) year from date of shipping under normal operations conditions This warranty does not apply to products damaged through misuse, abuse, improper installation, alteration, rework, or attempt to repair.

The information contained herein is believed to be correct, but no guarantee or warranty, express or implied, with respect to accuracy, completeness or results is extended and no liability is assumed. Challenge Electronics reserves the right to make changes in any specification, data or material contained herein.