

## CS32-01W130-10-1X

Rev. 2-2024  
RoHS3 & REACH  
IP67  
Round Speakers



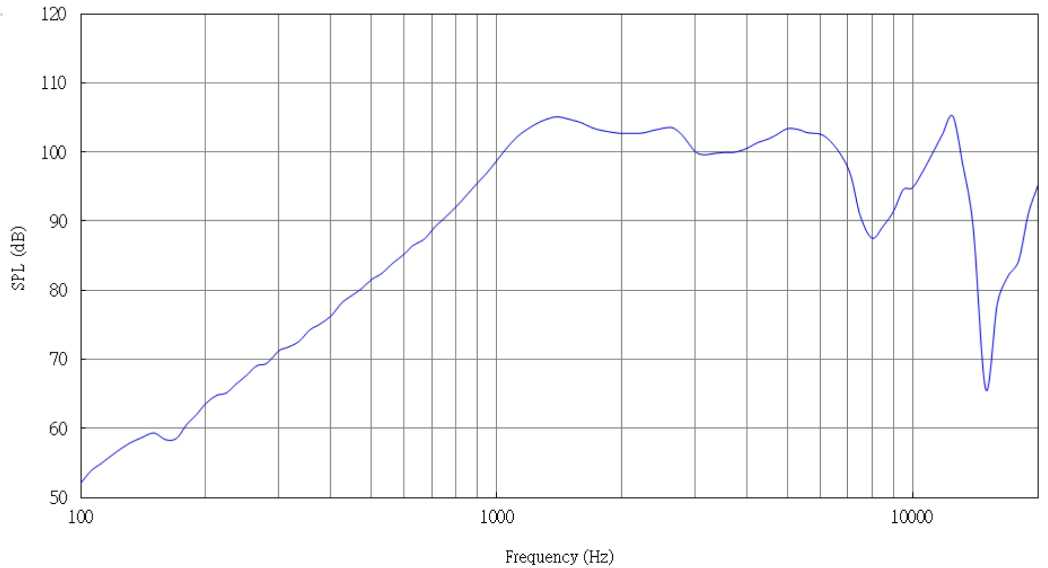
### Operating Characteristics

#### ELECTRICAL

Rated Power	1.5 W
Short Term Max Power	2 W
Impedance	8 Ω ± 15 % 2000 Hz; 0.125 W

#### ACOUSTIC: Baffle Board

$f_0$	1300 Hz ± 20 % 0.125 W
Freq. Range	1040 to 7000 Hz
Rated SPL	101 ± 3 dB 1200, 1500, 2400, 3000 Hz; AVG; 1 W; 10 cm
Distortion	Max 5 % 2000 Hz; 1 W



### Physical Characteristics

#### MATERIALS

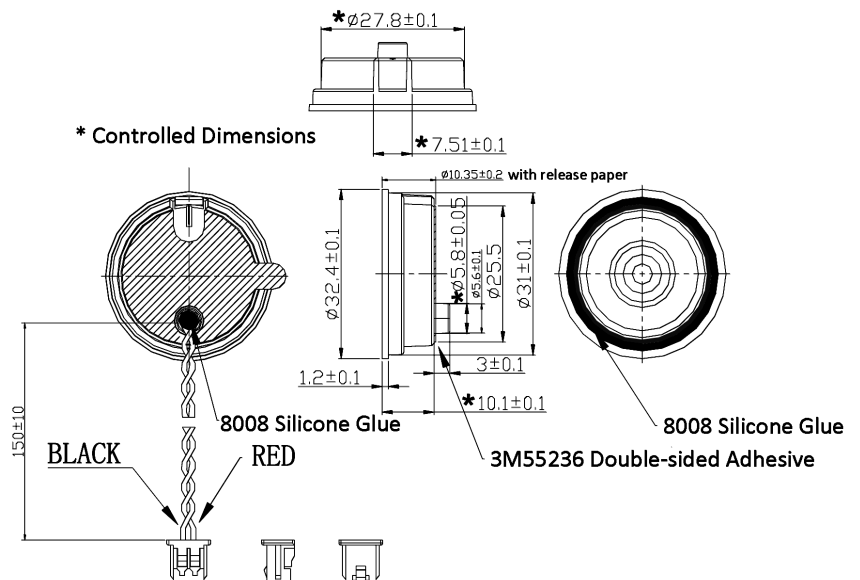
Housing	Sealed Back SPCC
Cone	PEI
Magnet	NdFeB
Wire	UL1571, 28AWG, 0.9mm Diameter, Black and Red
Connector	Molex 51021-0200

#### TEMPERATURE RANGES

Operating	-40 to +85 °C
Storage	-40 to +85 °C

Weight	14.5 g
--------	--------

Unless otherwise specified, tolerance: ±0.5(unit:mm)



All measurements in mm unless otherwise noted.

Revision	Description	By	Date
1-2020	Updated frame material from SPCC to Sealed Back SPCC	JL	2020-04-07
2-2024	Updated frequency range.	SK	2024-02-22

Warranty: For a period of one (1) year from date of shipping under normal operations conditions. This warranty does not apply to products damaged through misuse, abuse, improper installation, alteration, rework, or attempt to repair.

The information contained herein is believed to be correct, but no guarantee or warranty, express or implied, with respect to accuracy, completeness or results is extended and no liability is assumed. Challenge Electronics reserves the right to make changes in any specification, data or material contained herein.