

# CS32-03D25-18-1

 Rev. 0-2019  
 RoHS3 & REACH  
 Round Speakers

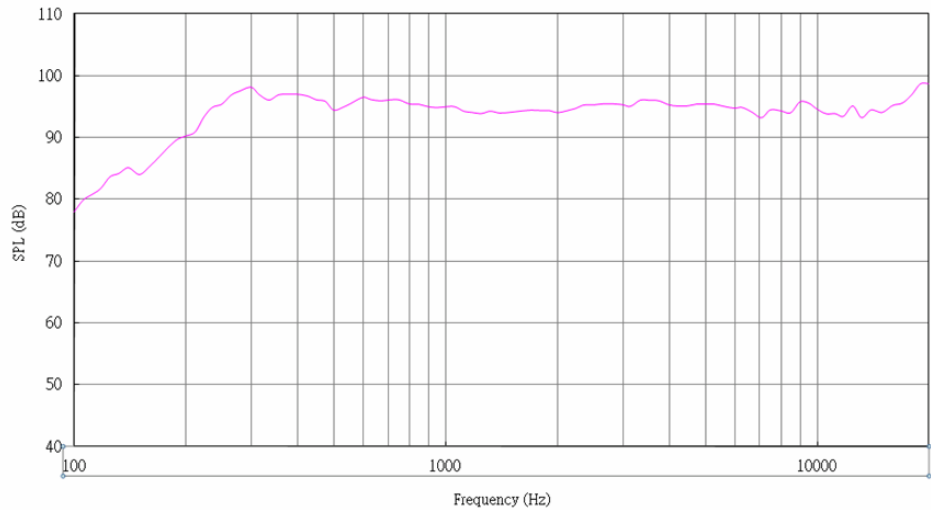

## Operating Characteristics

### ELECTRICAL

Rated Power	3 W
Short Term Max Power	4 W
Impedance	4 Ω ± 15 % 1000 Hz; 1.0 W

### ACOUSTIC: Baffle Board

$f_0$	250 Hz ± 20 % 1.0W
Freq. Range	150 to 20000 Hz
Rated SPL	96 ± 3 dB 600, 800, 1000, 1200 Hz; 1 W; 10 cm;
Distortion	5 % 1000 Hz; 1 W



## Physical Characteristics

### MATERIALS

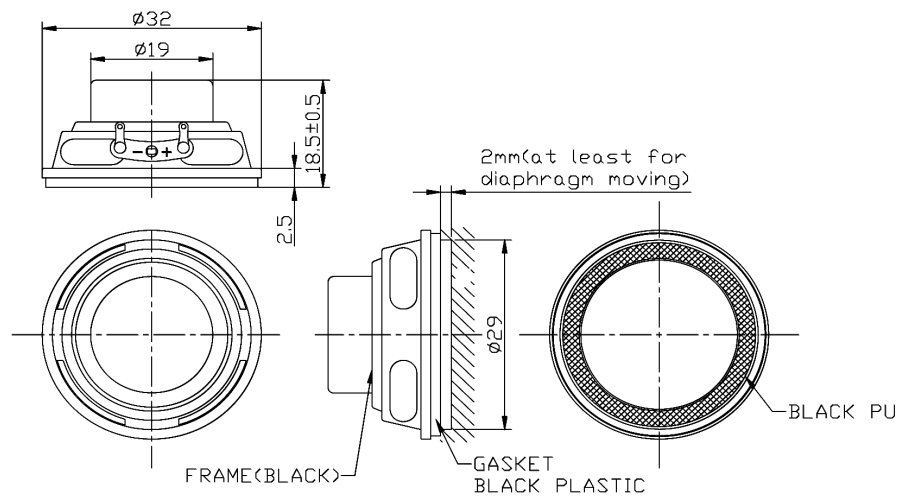
Housing	SPCC
Cone	Al Cap with Foam edge
Magnet	NdFeB

### TEMPERATURE RANGES

Operating	-20 to +60 °C
Storage	-30 to +70 °C

Weight 35 g

Unless otherwise specified, tolerance: ± 0.5(unit:mm)



Revision	Description	By	Date
0-2019	initial specification	SP	2019-11-19

Warranty: For a period of one (1) year from date of shipping under normal operations conditions This warranty does not apply to products damaged through misuse, abuse, improper installation, alteration, rework, or attempt to repair.