

CS32-03W23-16-1X

 Rev. 3-2024
 RoHS3 & REACH
 IP65
 Square Speakers

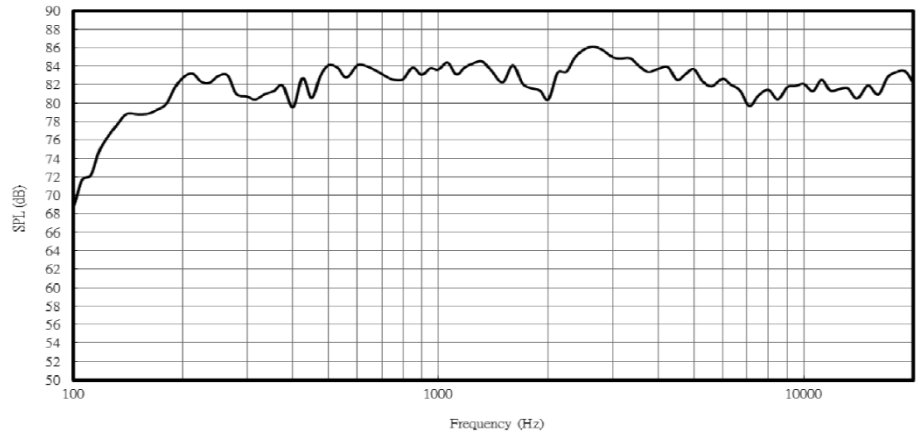

Operating Characteristics

ELECTRICAL

Rated Power	3 W
Short Term Max Power	4 W
Impedance	8 Ω ± 20 % 2000 Hz; 1 W

ACOUSTIC: Baffle Board

f_o	230 Hz ± 20 % 1 W
Freq. Range	184 to 20000 Hz
Rated SPL	83 ± 3 dB 600, 800, 1000, 1200 Hz; AVG; 1 W; 50 cm
Distortion	Max 10 % 1000 Hz; 1 W



Physical Characteristics

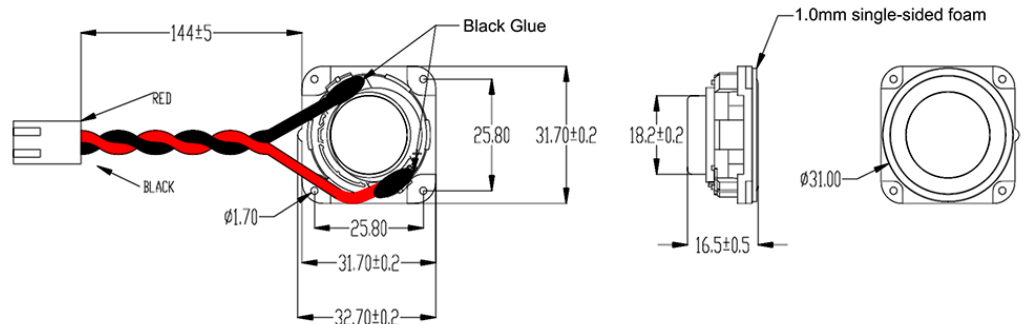
MATERIALS

Housing	SPCC
Cone	Foam
Magnet	NdFeB
Wire	28 AWG, UL3302
Connector	JWT A2501H02-2P or ZKE KL-XH-2Y

TEMPERATURE RANGES

Operating	-20 to +60 °C
Storage	-30 to +70 °C

Weight 17 g



General tolerance = ±0.5 mm and all measurements in mm unless otherwise noted.

Revision	Description	By	Date
2-2022	Updated mechanical drawing. Added black glue and 1.0mm single-sided foam callouts.	CT	2022-08-12
3-2024	Updated frequency range.	SK	2024-02-22

Warranty: For a period of one (1) year from date of shipping under normal operations conditions. This warranty does not apply to products damaged through misuse, abuse, improper installation, alteration, rework, or attempt to repair.

The information contained herein is believed to be correct, but no guarantee or warranty, express or implied, with respect to accuracy, completeness or results is extended and no liability is assumed. Challenge Electronics reserves the right to make changes in any specification, data or material contained herein.