

INDICATORS • SPEAKERS • SOUND TRANSDUCERS • ENCLOSURES • MICROPHONES • BATTERY ACCESSORIES

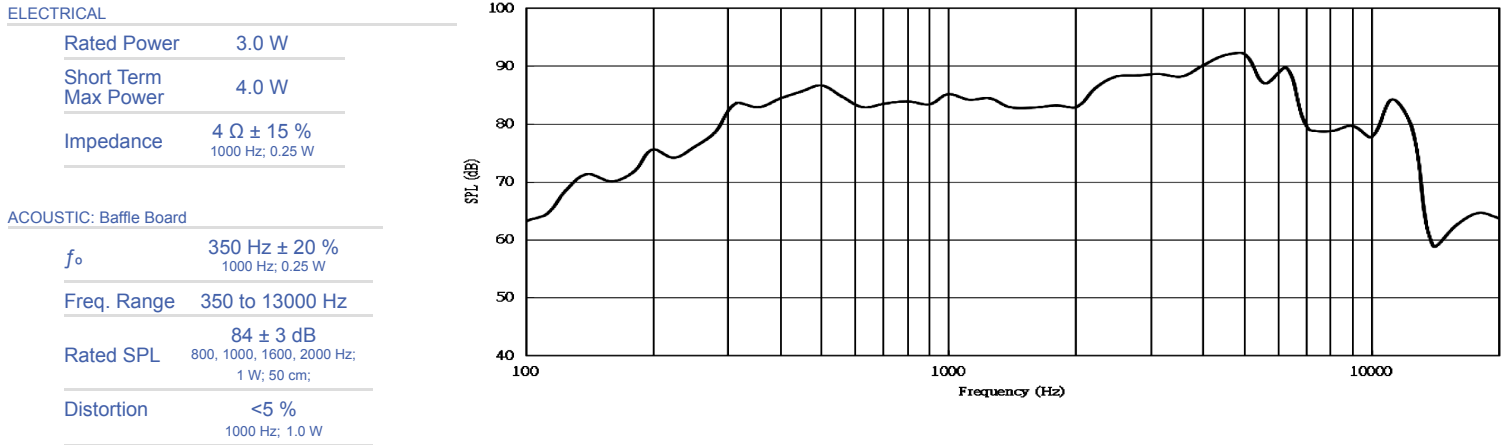
## CS33-03D35-17-1

Former P/N: CS330-0335-171

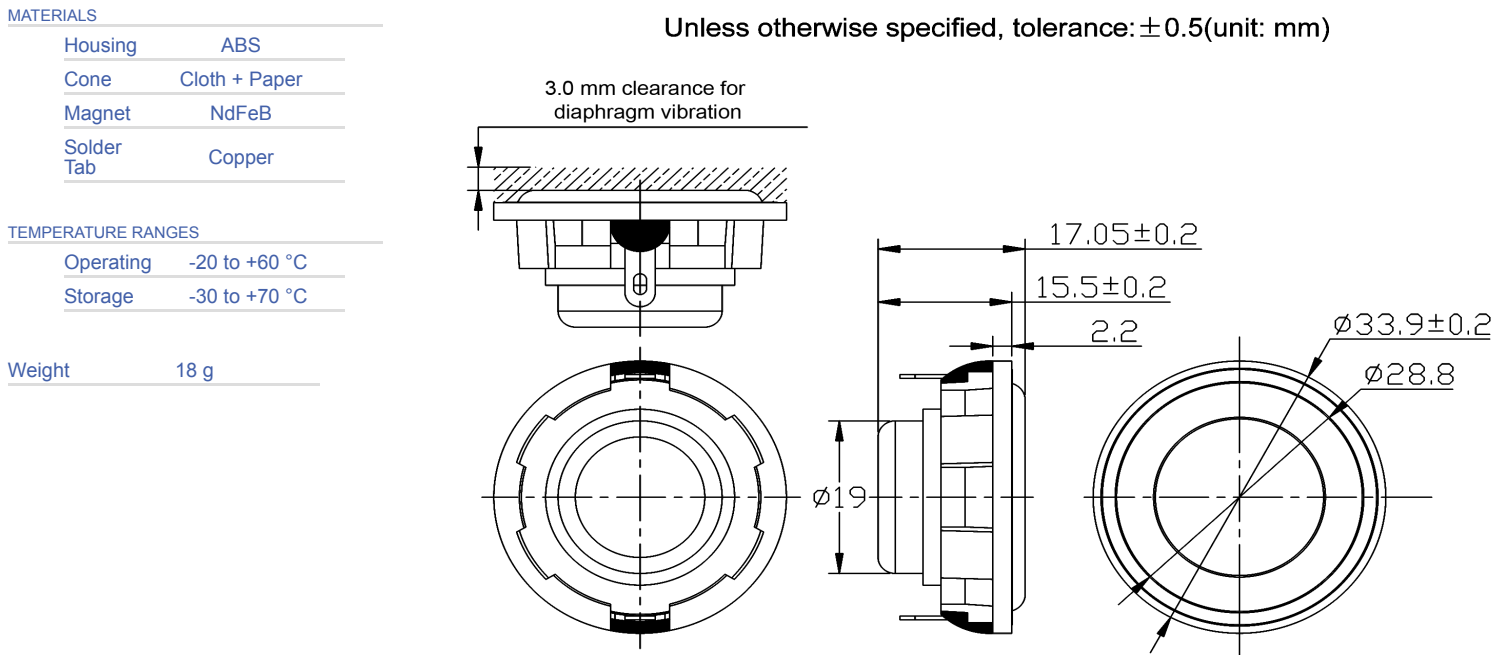
Rev. 1-2019  
RoHS3 & REACH  
Round Speakers



### Operating Characteristics



### Physical Characteristics



Revision	Description	By	Date
0-2019	Initial Specification Sheet	JL	2019-02-25
1-2019	Migrate to new format.	CF	2019-06-24

Warranty: For a period of one (1) year from date of shipping under normal operations conditions This warranty does not apply to products damaged through misuse, abuse, improper installation, alteration, rework, or attempt to repair.