

CS34-01P70-03-1

Former P/N: CS34-01P75-03-1

Rev. 4-2022
RoHS3 & REACH
IP67 Front Face Capable*
Mobile Speakers



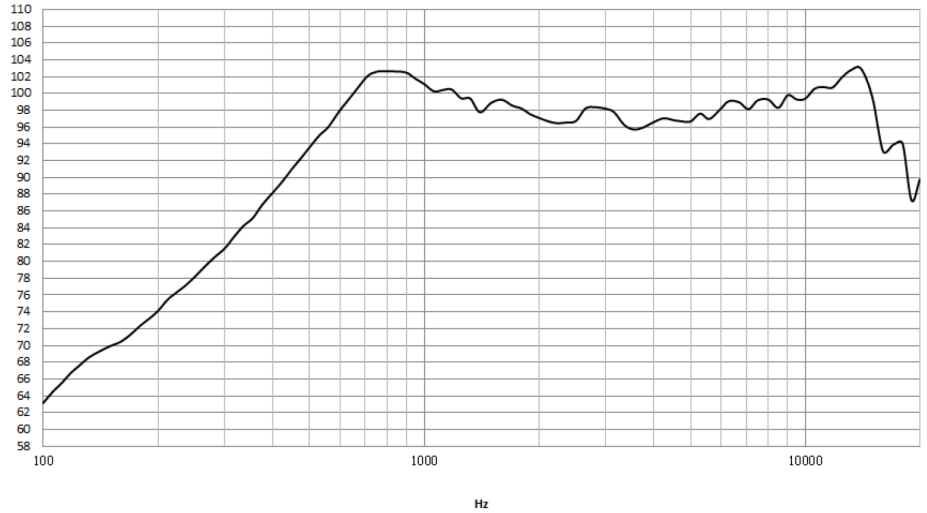
Operating Characteristics

ELECTRICAL

Rated Power	1.5 W
Short Term Max Power	2 W
Impedance	8 Ω ± 20 % 2000 Hz; 1.5 W

ACOUSTIC: 3CC Sealed Enclosure

f_o	700 Hz ± 20 % 1.5 W; 10 cm
Freq. Range	700 to 20000 Hz
Rated SPL	97 ± 3 dB 2000 Hz; 1.5 W; 10 cm;
Distortion	Max 10 % 1000 Hz; 1.5 W



Physical Characteristics

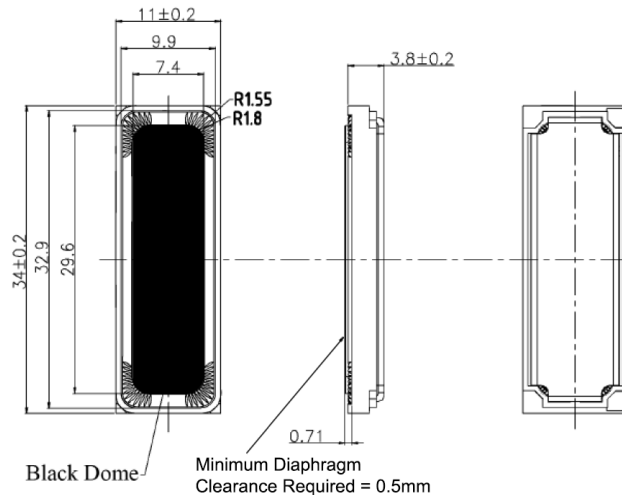
MATERIALS

Housing	PBT
Cone	PEEK
Magnet	NdFeB
Solder Pad	Stainless Steel, Tin Plated

TEMPERATURE RANGES

Operating	-20 to +70 °C
Storage	-40 to +85 °C

Weight 5 g



General tolerance = ±0.2 mm and all measurements in mm unless otherwise noted.

Revision	Description	By	Date
3-2022	Updated IP rated callout from IPX7 Front Face Capable to IP67 Front Face Capable.	CT	2022-03-15
4-2022	Added minimum diaphragm clearance required callout to the mechanical drawing. Added product photo.	CT	2022-05-13

Warranty: For a period of one (1) year from date of shipping under normal operations conditions. This warranty does not apply to products damaged through misuse, abuse, improper installation, alteration, rework, or attempt to repair.

The information contained herein is believed to be correct, but no guarantee or warranty, express or implied, with respect to accuracy, completeness or results is extended and no liability is assumed. Challenge Electronics reserves the right to make changes in any specification, data or material contained herein.

*IP rating can be achieved through proper assembly mounting. Please contact your local Challenge Electronics sales representative for more details.

©2022 Challenge Electronics, Inc. Pub. 20220513134323