

CS34-01P75-03-1

Rev. 0-2020
RoHS3 & REACH
Mobile Speakers



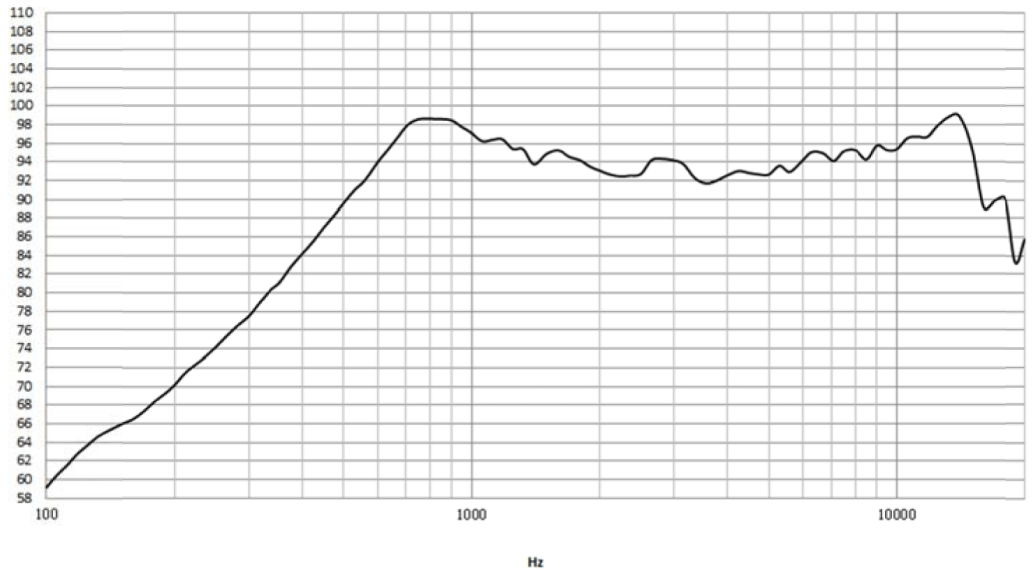
Operating Characteristics

ELECTRICAL

| | |
|----------------------|------------------------------|
| Rated Power | 1 W |
| Short Term Max Power | 1.5 W |
| Impedance | 3.8 Ω ± 20 % 2000 Hz; 1 W |

ACOUSTIC: 3CC Sealed Enclosure

| | |
|-------------|--------------------------------------|
| f_0 | 750 Hz ± 20 % 1 W; 10 cm |
| Freq. Range | 750 to 20000 Hz |
| Rated SPL | 92 ± 3 dB 2000 Hz; 1 W; 10 cm; |
| Distortion | Max 10 % 1000 Hz; 1 W |



Physical Characteristics

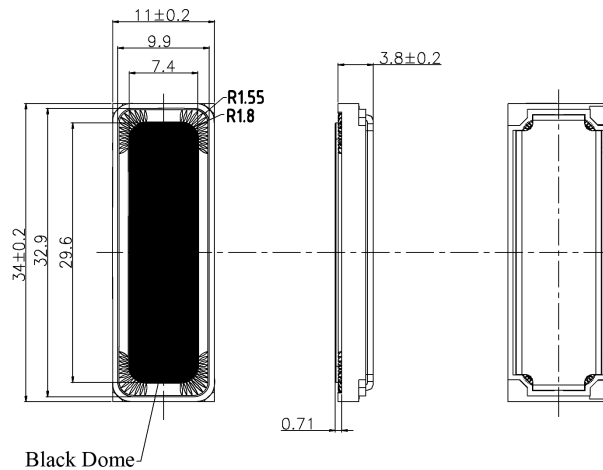
MATERIALS

| | |
|-------------|-----------------------------|
| Housing | PBT |
| Cone | PEEK |
| Magnet | NdFeB |
| Solder Pads | Stainless Steel, Tin Plated |

TEMPERATURE RANGES

| | |
|-----------|---------------|
| Operating | -20 to +70 °C |
| Storage | -40 to +85 °C |

Weight 5 g



General Tolerance: ± 0.2 mm

| Revision | Description | By | Date |
|----------|-----------------------------|----|------------|
| 0-2020 | Initial Specification Sheet | JL | 2020-04-21 |

Warranty: For a period of one (1) year from date of shipping under normal operations conditions This warranty does not apply to products damaged through misuse, abuse, improper installation, alteration, rework, or attempt to repair.