

CS34-02P65-03-1

 Rev. 0-2022
 RoHS3 & REACH
 Mobile Speakers

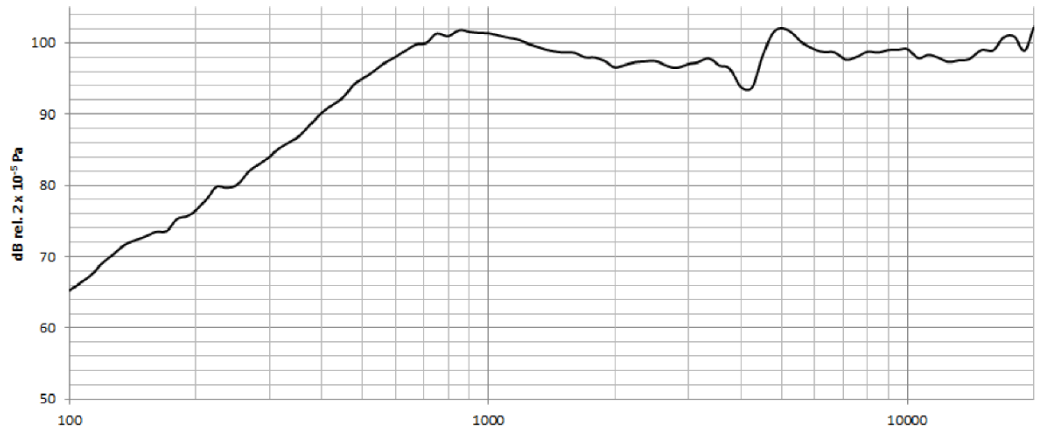

Operating Characteristics

ELECTRICAL

Rated Power	2 W
Short Term Max Power	2.3 W
Impedance	4 Ω ± 20 % 2000 Hz; 2 W

ACOUSTIC: 4cc Sealed Enclosure

f_o	650 Hz ± 20 % 2 W; 10 cm
Freq. Range	650 to 20,000 Hz
Rated SPL	97 ± 3 dB 2000 Hz; 2 W; 10 cm;
Distortion	Max 10 % 1000 Hz; 2 W



Physical Characteristics

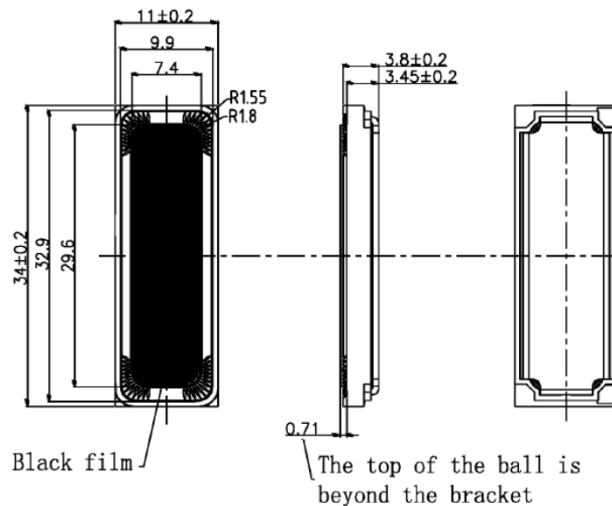
MATERIALS

Housing	PPA
Cone	PEEK
Magnet	NdFeB
Solder Pads	Stainless Steel, Tin Plated

TEMPERATURE RANGES

Operating	-20 to +70 °C
Storage	-40 to +85 °C

Weight 5 g



General tolerance = ±0.2 mm and all measurements in mm unless otherwise noted.

Revision	Description	By	Date
0-2022	Original Specification	AL	2022-08-31

Warranty: For a period of one (1) year from date of shipping under normal operations conditions. This warranty does not apply to products damaged through misuse, abuse, improper installation, alteration, rework, or attempt to repair.

The information contained herein is believed to be correct, but no guarantee or warranty, express or implied, with respect to accuracy, completeness or results is extended and no liability is assumed. Challenge Electronics reserves the right to make changes in any specification, data or material contained herein.