

## CS35-01D50-08-1

Former P/N: CES350V080CA08PCN500TR

Rev. 1-2019  
RoHS3 & REACH  
Oval Speakers



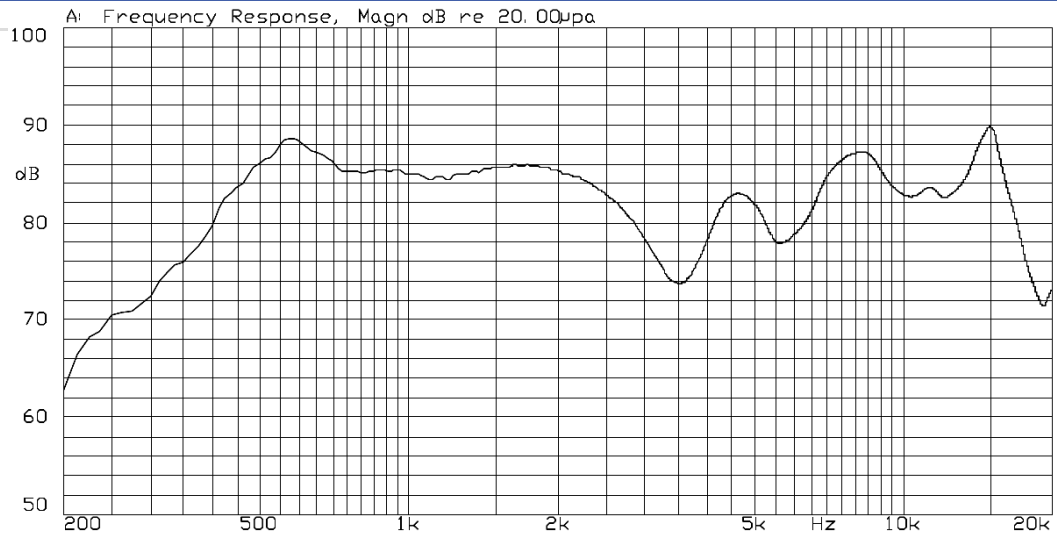
### Operating Characteristics

#### ELECTRICAL

Rated Power	1.0 W
Short Term Max Power	2.0 W
Impedance	8 Ω ± 15 % 800 Hz; 0.125 W

#### ACOUSTIC: Baffle Board

$f_0$	500 Hz ± 20 % 0.125 W
Freq. Range	500 to 5000 Hz
Rated SPL	84 ± 3 dB 800, 1000, 1200, 1500 Hz; 0.25 W; 50 cm;
Distortion	<5 % 1000 Hz; 1 W



### Physical Characteristics

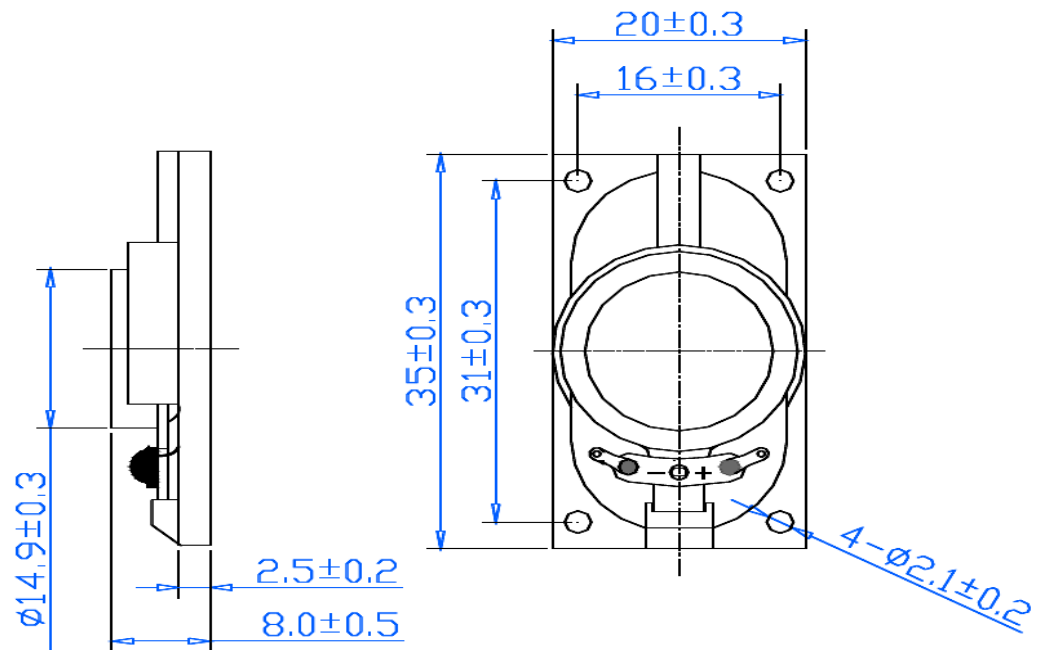
#### MATERIALS

Housing	Plastic
Cone	Cloth
Magnet	NdFeB
Solder Tab	Tin Plated Iron

#### TEMPERATURE RANGES

Operating	-30 to +70 °C
Storage	-40 to +80 °C

Weight 0.8 g



Revision	Description	By	Date
1-2019	Migrate to new format	WS	2019-06-21

Warranty: For a period of one (1) year from date of shipping under normal operations conditions This warranty does not apply to products damaged through misuse, abuse, improper installation, alteration, rework, or attempt to repair.