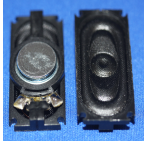


INDICATORS • SPEAKERS • SOUND TRANSDUCERS • ENCLOSURES • MICROPHONES • BATTERY ACCESSORIES

## CS35-01P67-05-1

Former P/N: CES350V058CA08PCN670UR

Rev. 1-2019  
RoHS3 & REACH  
Oval Speakers



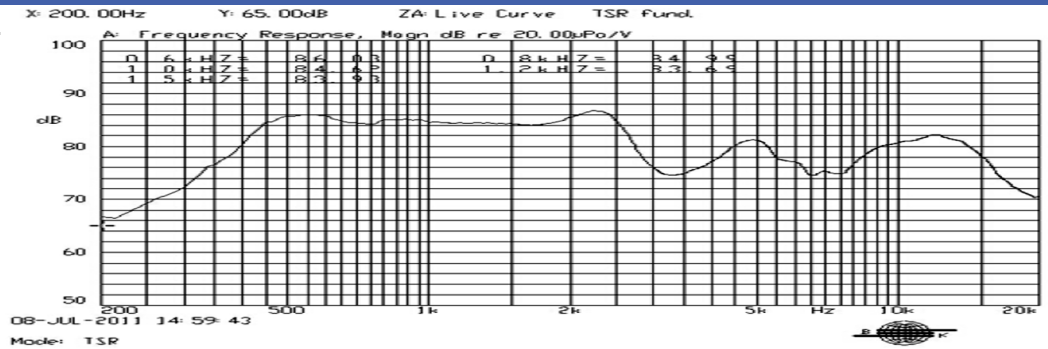
### Operating Characteristics

#### ELECTRICAL

Rated Power	1.0 W
Short Term Max Power	2.0 W
Impedance	8 Ω ± 15 % 2000 Hz; 0.125 W

#### ACOUSTIC: Baffle Board

$f_0$	670 Hz ± 20 % 0.125 W
Freq. Range	670 to 20000 Hz
Rated SPL	83 ± 3 dB 600, 800, 1000, 1200 Hz; 1.0 W; 50 cm;
Distortion	<5 % 1000 Hz; 0.1 W



### Physical Characteristics

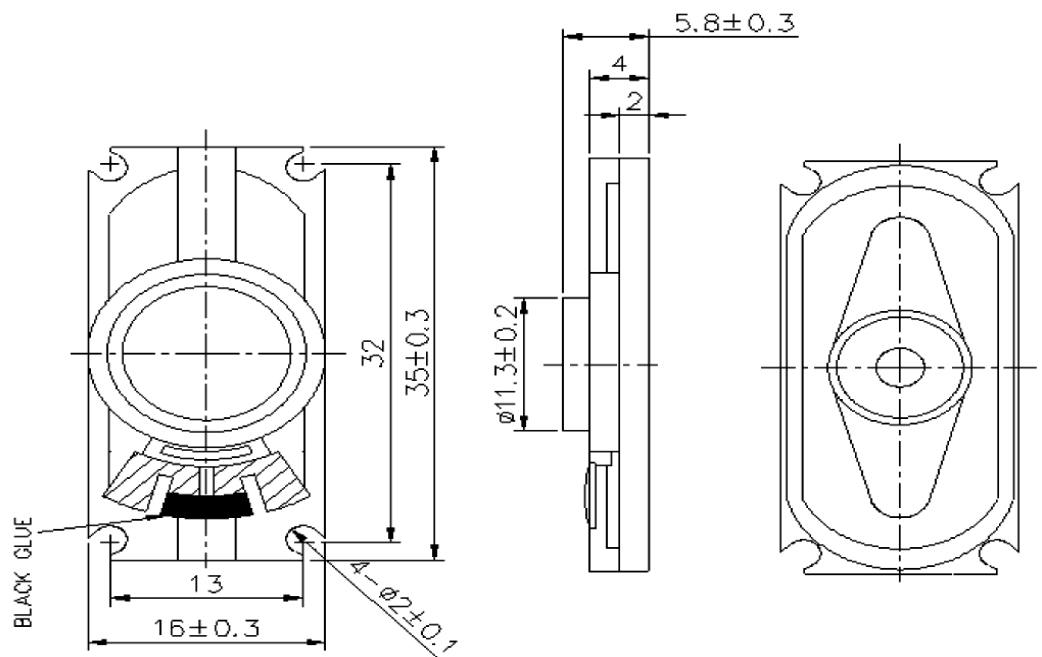
#### MATERIALS

Housing	Plastic
Cone	Cloth
Magnet	NdFeB
Solder Pad	Tin Plated Copper

#### TEMPERATURE RANGES

Operating	-20 to +60 °C
Storage	-20 to +60 °C

Weight 7.5 g



Revision	Description	By	Date
1-2019	Migrate to new format	WS	2019-06-21

Warranty: For a period of one (1) year from date of shipping under normal operations conditions This warranty does not apply to products damaged through misuse, abuse, improper installation, alteration, rework, or attempt to repair.